

# Pellet stoves

## MONIA 2.0

**Please read this entire manual before installation and use of this pellet fuel-burning room heater. Failure to follow these instructions could result in property damage, bodily injury or even death.**

**Contact local building or fire officials about restrictions and installation inspection requirements in your area.**

**Contact local building authority (such as municipal building department, fire department, fire prevention, bureau. etc.) before installation to determine if a permit and/or inspection is required.**

**Save these Instructions.**


PRODUCT INFORMATION,  
INSTALLATION AND MAINTENANCE

 **PIAZZETTA**

Dear Customer,

We thank you for having chosen one of our products, the fruit of extensive and continuous research for a superior product in terms of safety, reliability and performance.

In the documentation supplied, you will find all the information and advice you need to use your product as safely and efficiently as possible.

-  Read the instructions and the information, supplied in all forms together with the product and any accessories, as well as the documentation referred to in this manual carefully, before proceeding with installation, use or any repairs.
- If any problems or doubts should arise, please contact your local dealer or the authorized T.A.C. (authorized technical assistance centre).

-  This manual contains INFORMATION REGARDING THE PRODUCT, INSTALLATION AND MAINTENANCE.
- For information regarding operation, please refer to the manual "*OPERATING INSTRUCTIONS*".

For the restrictions, limitations and exclusions please refer to the warranty included with the product. In line with its policy of constant product improvement and renewal, the manufacturer may make changes without notice.

**The images shown in this manual are for explanatory purposes and at times may not accurately depict the product.**

**This document is the property of Gruppo Piazzetta S.p.A. and no part of it may be reproduced or disclosed to third parties, wholly or in part, without written permission All rights reserved by Gruppo Piazzetta S.p.A..**

# CONTENTS

<b>1</b>	<b>GENERAL INFORMATION</b>	<b>4</b>
<b>2</b>	<b>PRODUCT INFORMATION</b>	<b>6</b>
2.1	Product description	6
2.2	Part identification	7
2.3	Safety devices	8
2.4	Check devices	8
2.5	Product identification data	9
2.6	Characteristics	9
2.7	Accessories upon request	9
2.8	Technical data	10
2.9	Sizes	11
<b>3</b>	<b>FUEL</b>	<b>12</b>
3.1	Pellet specifications	12
3.2	Information regarding pellet loading	13
<b>4</b>	<b>GENERAL INFORMATION REGARDING THE SYSTEM</b>	<b>14</b>
4.1	Installation room	14
4.2	Fresh air intake	15
4.3	Chimney	15
4.4	Flue pipe	15
4.5	Interior vent installation	17
4.6	Connecting to a conventional chimney	18
4.7	Installing into an existing fireplace chimney	19
4.8	Short rise installation - wall outlet	20
4.9	Minimum flue vent configuration	20
4.10	Venting: termination requirements	21
4.11	Mobile home installation	22
<b>5</b>	<b>PREPARATIONS FOR INSTALLATION</b>	<b>23</b>
5.1	Handling	23
5.2	Unpacking	23
<b>6</b>	<b>INSTALLATION</b>	<b>23</b>
6.1	Access to the internal parts of the product	23
6.2	Minimum safety distances	24
6.3	Installation kit and accessories	25
6.4	Combustion air connection	25
6.5	Connection to the smoke outlet	26
6.6	Electrical connections	26
<b>7</b>	<b>START-UP AND OPERATING TEST</b>	<b>27</b>
<b>8</b>	<b>CLADDING AND TRIM</b>	<b>28</b>
<b>9</b>	<b>USE</b>	<b>28</b>
9.1	Humidifier (accessories)	28
<b>10</b>	<b>CLEANING AND MAINTENANCE</b>	<b>29</b>
10.1	Scheduled maintenance	29
10.2	Cleaning the ceramic cladding	30
10.3	Cleaning the painted metal parts	30
10.4	Opening the door	30
	<i>Positioning the firedoor opening tool</i>	30
10.5	Cleaning the glass	31
10.6	Disposal of ashes	31
10.7	Cleaning the ash tray	31
10.8	Cleaning the grate and grate support	31
10.9	Cleaning the combustion chamber	31
10.10	Cleaning the smoke chamber	32
10.11	Cleaning the extractor fan	33
10.12	Cleaning the room fan	33
10.13	Cleaning the smoke outlet	34
10.14	Replacing the fuses	34
10.15	Remove the door	34
10.16	Replacing the gaskets	35
10.17	Replacing the glass	35
<b>11</b>	<b>WHEN NOT IN USE</b>	<b>36</b>
<b>12</b>	<b>DISPOSAL OF PRODUCT AT END OF PRODUCT LIFE</b>	<b>36</b>
<b>13</b>	<b>ELECTRICAL CONNECTIONS</b>	<b>37</b>
<b>14</b>	<b>REFERENCE STANDARDS</b>	<b>38</b>
<b>15</b>	<b>WARRANTY</b>	<b>39</b>


## 1 GENERAL INFORMATION

**Definition:** The term **system** indicates the unit consisting of the appliance and all the necessary installations which affect its operation, including air intakes, the entire system for the evacuation of the flue gases (connecting flue pipe, flue, chimney terminal) the area, other sources of heat, installations for the propagation of heat (hot air ducting or plumbing system).


**Definition:** The term **standards** or **regulations** indicates all applicable national legislation, local regulations, particular or conventional requirements arising from joint ownership building regulations, and easement or laws or administrative acts, in force in the place where the appliance is to be installed.

- This instruction booklet has been prepared by the manufacturer and is an integral part of the product. In the event of sale or relocation of the product make sure this booklet accompanies it, since the information contained in it is addressed to the purchaser and to anyone involved in the installation, use and maintenance of the product.
- Read the instructions and the information, supplied in all forms together with the product and any accessories, as well as the documentation referred to in this manual carefully, before proceeding with installation, use or any repairs. If any problems or doubts should arise, please contact your local dealer or the authorized T.A.C. (authorized technical assistance centre).
- Gruppo Piazzetta S.p.A. cannot be held liable for situations of risk, defects, damage, product malfunctioning or for damage to objects, people or animals resulting from tampering of the appliance and installation, use and maintenance which does not respect the indications provided by regulations and the manufacturer.
- Any changes to the original parameters which determine product operation may only be carried out by authorised persons from the company and with the values set by the manufacturer. Non-authorized interventions on the product will be considered tampering.


 In the event of a malfunction or fault, before carrying out any intervention and before discontinuing product use, please refer to the manual provided by the manufacturer in the sections "FAULTS" or "MESSAGES - SAFETY WARNINGS - ANOMALIES".

 In the event of fire in the flue, stop using the appliance, do not open the door of the appliance, observe all safety recommendations and contact the appropriate authorities.


- For appliances which are powered electrically, do not disconnect the power supply if unburned smoke/gas forms inside the firebox. Move away and adopt all necessary safety precautions.

 Smoke coming from a blocked flue is dangerous. Keep the flue and connecting flue pipe clean. Follow the manufacturer's cleaning instructions.


- Keep the exchangers and smoke passages on the boiler clean. Follow the manufacturer's cleaning instructions.
- Only use the recommended fuel.
- Please read and comply with the instructions for installation, use and maintenance.

 Product use may cause some surfaces to become extremely hot (the glass, the external surfaces, the handles, the smoke outlet passage). Any contact between clothing or body parts and these surfaces, including where accidental, may cause burns or fires.


- Before performing work on parts of the appliance that may be hot (e.g. top surface panel, grilles, covers, door, settings devices and control devices), take the necessary precautions and use suitable protective devices (glove, fire door opening tool or other specific devices).
- Since the glass becomes hot, make sure that no person other than those experienced in operating the appliance remain in the area from where the heat emanates.

 All local regulations, including those referring to national standards need to be complied with when installing the appliance and when operating the appliance.


- Product installation, use and maintenance must be carried out in compliance with the applicable instructions provided by the manufacturer and in compliance with all relevant regulations. Failure to respect the indications provided and any incorrect interventions may create dangerous situations, cause damage to people, property or animals, or lead to health problems or operating faults.

 Product installation and maintenance must be carried out exclusively by qualified personnel with sufficient knowledge of the product itself.


- Only use original spare parts as recommended by the manufacturer.

 Everyone (both children and adults) should be informed of the risk of coming into contact with hot surfaces.


- Babies, young children, animals or anyone else may experience burns as a result of accidental contact. If there are any at-risk subjects in the home, a protective barrier should be installed. To limit access to the appliance, install a safety gate to keep babies, young children and other at-risk subjects out of the room and away from the hot surfaces.


 This appliance is not for use by persons (including children) with reduced physical, sensory, mental capacity or with a lack of experience and knowledge, unless they are helped or have been instructed on how to use the appliance by the person who is responsible for their safety.


- Children shall not play with the appliance. Cleaning and user maintenance shall not be made by children.
- Young children should be carefully supervised when they are in the same room as the stove.


 If you expect that small children or vulnerable adults may come into contact with this appliance, the following precautions are recommended:

- Install a physical barrier such as a decorative firescreen or an adjustable safety gate.
- Install a switchlock or a wall/remote control with child protection lockout feature.
- Keep remote controls out of reach of children.
- Never leave children alone near a hot stove, whether operating or cooling down.
- Teach children to NEVER touch the stove.
- Consider not using the stove when children will be present.


 During the operation and/or cooling phase, slight creaking noises may be heard. This is not considered a defect, but is a consequence of the thermal expansion of the materials used.

 Do not install the product too close to neighbors or in valleys that would cause unhealthy air quality or nuisance conditions.


 It is forbidden any unauthorized modification of the appliance.


 Do not stand or place objects which are not heat-resistant within the prescribed minimum safety distance.


- This also applies when the appliance is off. The appliance may be turned on by somebody else or, where the appliance is pre-configured, may be automatically switched on (programmed or via remote control), at any time.

 Do not install the product near walls or objects in heat-sensitive or combustible material (wood or similar). It is important to observe and respect the distances and safety indications prescribed by regulations and indicated in the manual provided by the manufacturer in the section "*INSTALLATION*".


- IT IS FORBIDDEN TO USE THE APPLIANCE WITHOUT SUITABLE CLADDING.


 THIS WOOD HEATER NEEDS PERIODIC INSPECTION AND REPAIR FOR PROPER OPERATION. IT IS AGAINST FEDERAL REGULATIONS TO OPERATE THIS WOOD HEATER IN A MANNER INCONSISTENT WITH OPERATING INSTRUCTIONS IN THIS MANUAL.

 THIS WOOD HEATER HAS A MANUFACTURER-SET MINIMUM LOW BURN RATE THAT MUST NOT BE ALTERED. IT IS AGAINST FEDERAL REGULATIONS TO ALTER THIS SETTING OR OTHERWISE OPERATE THIS WOOD HEATER IN A MANNER INCONSISTENT WITH OPERATING INSTRUCTIONS IN THIS MANUAL.


 Never use gasoline, gasoline-type lantern fuel, kerosene, charcoal lighter fluid, ethyl alcohol or similar liquids to start or "reignite" a fire in this heater. Keep all such liquids well away from the heater while it is in use.

- Only power the appliance with fuel which has the characteristics as indicated in the section "FUEL" in the manual provided by the manufacturer.


 Do not overfire - If any external part starts to glow, you are overfiring. Reduce feed rate. Overfiring will void your warranty.

 **Warning against overfiring:**

- pellets must not be fed manually into the grate
- never add additional fuel by hand
- do not fill the hopper with any fuels other than wood pellet
- the residual pellets in the grate after a failed ignition must be removed before starting a new ignition process

 Do not use the appliance as an incinerator or in any way other than that for which it was designed.

- Do not use the appliance if the glass or seals on the door are damaged.
- Do not open the door during operation.

 **For monitoring and inspection techniques ensuring heater is operating properly, including ensuring visible emissions are minimized, consult the section "CLEANING AND MAINTENANCE" and "OPERATING INSTRUCTIONS" (consult the section "MESSAGES - SAFETY WARNINGS - ANOMALIES").**

Before carrying out any assembly, installation or ignition procedures, the enabled installer must check that the system has been manufactured in compliance with the applicable instructions provided by the manufacturer and in compliance with all relevant regulations. In particular, check:

- suitability of the room where the appliance is to be installed as well as any restrictions
- the existence of any other appliances
- fresh air intake

- ventilation within the area where the appliance is to be installed
- sufficient clean air flow for combustion: air cannot be taken from potentially polluted areas
- smoke evacuation system comprising a connecting flue pipe, flue and chimney.

Installation may also include a series of operations to be carried out correctly by enabled personnel and for which system compatibility must be guaranteed:

- connection to the air intake
- connection to the smoke evacuation system
- ventilation
- assembly and installation
- any necessary electrical or plumbing connections
- insulation
- start-up and operating tests, and where necessary calibration and adjustment
- cladding and trims
- presentation of additional documentation as prescribed by the regulations
- end user training by the installer on how to use and maintain the appliance
- checking and maintenance.

Other requirements for compliance may be necessary in relation to specifications required by the appropriate Authorities.

 **DO NOT USE MAKESHIFT COMPROMISES WHEN INSTALLING THIS APPLIANCE. DAMAGE AND/OR INJURY MAY RESULT.**

## 2 PRODUCT INFORMATION

### 2.1 PRODUCT DESCRIPTION

This appliance is:

- a heat generator designed to be run with pellets
- to be used solely for the purpose for which it was designed; all other uses are to be considered improper and therefore dangerous
- equipped with a smoke evacuation fan which maintains the pressure in the combustion chamber (vacuum).

The use of a fuel which can be easily transported and stored such as pellets, facilitates the ease of use of this appliance.

A panel on the appliance allows the user to control a wide range of functions and programming operations.

The pellets are loaded into the hopper manually and the ignition is electronic.

An electronic control unit controls the pellet dosing into the grate as well as the flue gas expulsion.

The control unit oversees the correct operation of the appliance and, thanks to a series of safety devices, signals any faults on the panel on the appliance itself and if necessary, initiates the appropriate procedures.

## 2.2 PART IDENTIFICATION

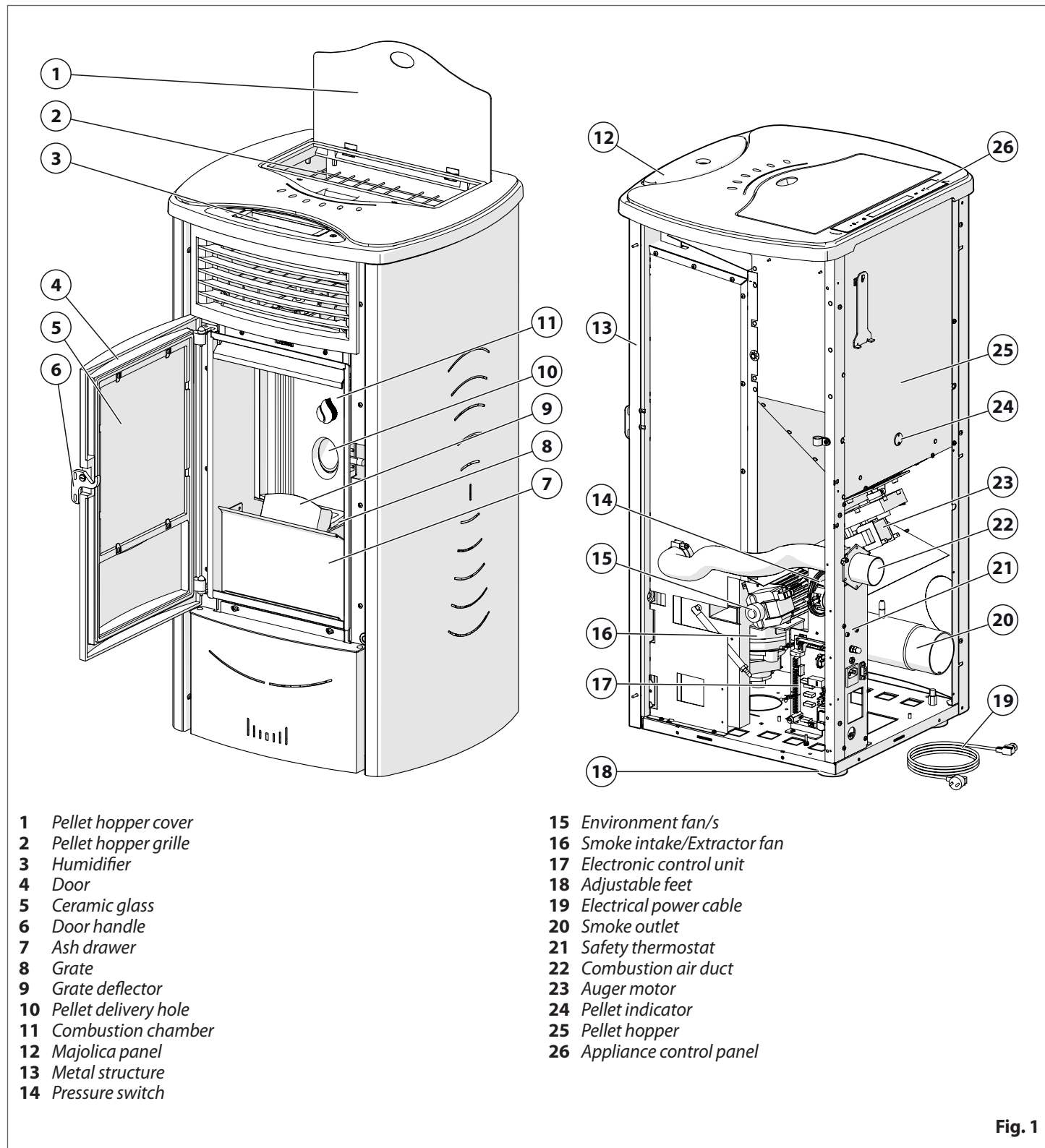


Fig. 1

## 2.3 SAFETY DEVICES

The appliance is equipped with the following safety and check devices which stop the stove from operating if any faults occur against over-firing and ensuring heaters is operating properly, including ensuring visible emissions are minimized.

If any safety warnings or alarms are activated, please consult the "OPERATING INSTRUCTIONS".

### Pressure switch:

controls the vacuum inside the appliance. The pressure switch is activated if the correct operating conditions are altered (firebox door open, unsuitable installation, obstacles or blockages in the flue, lack of maintenance, adverse weather conditions such as persistent wind etc.). The pressure switch activates and isolates the supply voltage to the auger, thus stopping pellet feed to the grate and then initiates the appliance shut down process.

### Hopper thermostatic probe:

this is a thermostatic probe which automatically rearms and is located on the pellet hopper. It serves to safeguard the hopper against excessive temperatures.

If the temperature of the hopper exceeds the safety threshold, the thermostat isolates the supply voltage to the auger, pellet feed to the grate is stopped and the appliance shut down procedure begins.

### Smoke temperature probe:

this is connected to the electronic control unit and constantly monitors the operating temperature. If during this phase the smoke temperature:

- a) *exceeds the safety threshold, the electronic control unit isolates the supply voltage to the auger, thus stopping pellet feed to the grate and starting the appliance shut down process*
- b) *falls below the minimum operating temperature, the appliance stops and an acoustic alarm signal is activated.*

Furthermore, if during the start-up phase a system malfunction is detected, an acoustic alarm signal is activated.

### Auger safety:

auger operation is constantly monitored by the electronic board. If there is a malfunction which produces a continuous discharge of the pellet, an acoustic alarm signal is activated. The electronic control unit isolates the supply voltage to the auger, thus stopping pellet feed to the grate and starting the appliance shut down process.

### Extractor fan safety:

the rotation of the extractor fan is constantly monitored by the electronic control unit. In the event of a fan malfunction, an acoustic alarm signal is activated. The electronic control unit isolates the supply voltage to the auger, thus stopping pellet feed to the grate and starting the appliance shut down process.

### Electrical safety:

the appliance is protected by fuses in the event of a power surge.

### Electronic control unit:

the electronic control unit signals and controls a series of events including power and ignition failure.



The safety devices are there to eliminate the risk of damage or injury to persons, animals or objects. IT IS FORBIDDEN to tamper with the safety devices or allow any intervention to be carried out by non-qualified personnel.

## 2.4 CHECK DEVICES

The appliance is equipped with some check devices which are to be used exclusively by personnel authorised to carry out fine tuning operations during installation and maintenance procedures.

**Pressure plug (A):** for measuring the pressure drop inside the appliance.

**DB9 serial port (B):** to carry out checks on the correct operation of the product and any necessary maintenance operations.

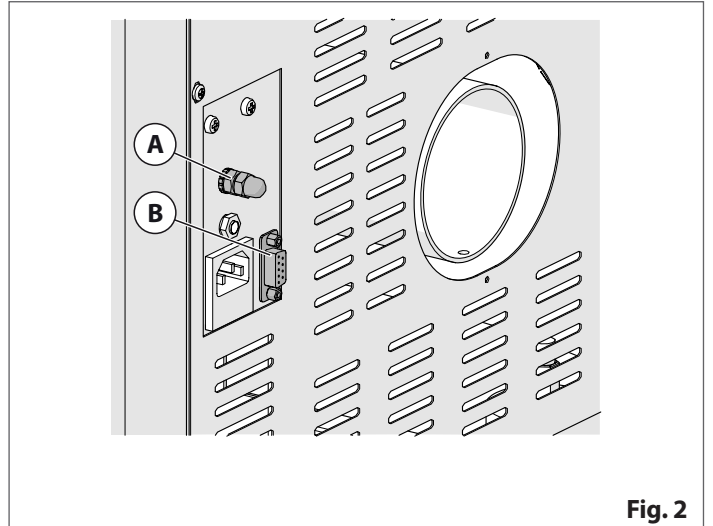


Fig. 2



## 2.5 PRODUCT IDENTIFICATION DATA

Each product is identified in the following way:

- **IDENTIFICATION DATA PLATE** (1) with the model (A) and appliance performance specifications
- **SERIAL NUMBER PLATE** (2) with the serial number of the appliance (B)
- **LABEL WITH IMPORTANT ADDITIONAL INFORMATION** (3) with important information.

The identification plates are positioned as shown below.

**i** When asking for technical support and/or spare parts, always provide these data to the dealer or T.A.C. (authorised technical assistance centre).

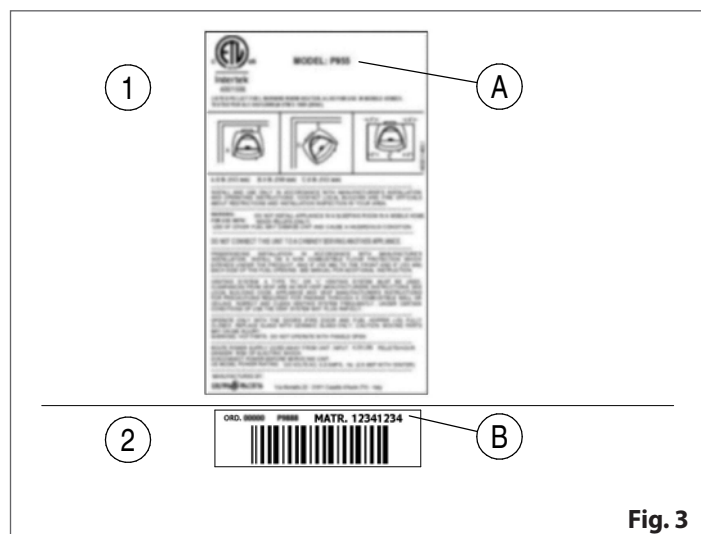


Fig. 3

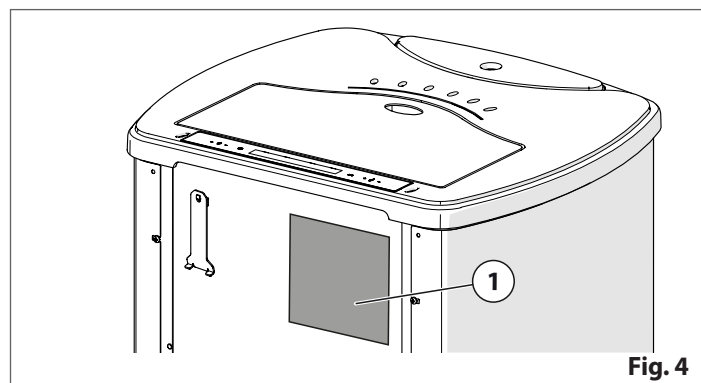


Fig. 4

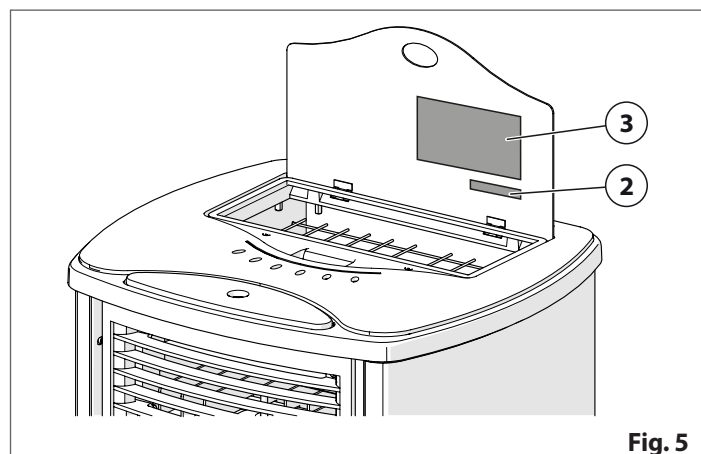


Fig. 5

## 2.6 CHARACTERISTICS

### Structure:

- in steel

### Cladding:

- in painted steel

### Top surface:

- majolica
- in cast iron

### Firebox:

- in cast iron

### Grate:

- in cast iron

### Ash collection:

- extractable ash drawer

### Door:

- in cast iron
- 0.197" (5 mm) ceramic glass resistant to 750°C (1382 °F)

### Door handle:

- in painted steel

### Power adjustment:

- 4 positions

### Heating:

- through forced ventilation
- 1 fan

### Function control:

- appliance control panel

### Provided as standard:

- power cable (length 6' / 180 cm)
- room temperature probe
- grate deflector
- hex wrench
- firedoor opening tool (separable handle)

## 2.7 ACCESSORIES UPON REQUEST

To consult the full list of accessories supplied upon request and to check the compatibility of internal components, cladding and accessories, see the price list.

- Remote control kit
- Smoke outlet kit
- Humidifier (in stainless steel)

## 2.8 TECHNICAL DATA

Description	Model	MONIA 2.0			
	Unit of measurement	High burn rate	Medium burn rate	Low burn rate	Overall burn rate
Power Setting		P4	P2	P1	
Fuel		natural pure wood pellets			
Heat Input	Btu/hr	36944	17613	12871	18463
	KJ/hr	38945	18567	13568	19464
	kW	10.8	5.2	3.8	5.4
Heat Output	Btu/hr	30574	14279	10479	15215
	KJ/hr	32230	15053	11047	16040
	kW	9.0	4.2	3.1	4.5
Burn rate (wet)	lb/hr	4.51	2.15	1.57	2.25
	kg/hr	2.04	0.97	0.71	1.02
Burn Rate (dry)	lb/hr	4.32	2.06	1.50	2.16
	kg/hr	1.96	0.93	0.68	0.98
Heating Efficiency (HHV basis)	%	82.8	81.1	81.4	82.4
Heating Efficiency (LHV basis)	%	89.1	87.3	87.7	88.8

### CONTENT OF SMOKE EMISSIONS

Overall Particulate Emission Rate	g/hr	0.820			
CO emissions	g/min	0	0	0	0

### ELECTRICAL DATA

Current during ignition phase (peak)	A	3.4			
Electrical power input during ignition phase (peak)	W	377			
Current in operation (peak)	A	1.8	1.7	1.5	-
Current in operation (average value)	A	1.5	1.3	1.2	-
Electrical power input (peak)	W	101	86	77	-
Electrical power input (average value)	W	87	66	58	-
Rated Voltage	V	115/120			
Rated Frequency	Hz	60			

### DIMENSIONAL DATA

Approximate hopper capacity	lb (kg)	35 (16)			
	gal (l)	6.60 (25)			
Vent size	in	2.95			
Weight of appliance with cladding	lb (kg)	216 (98)			

### FRESH AIR DATA

Fresh air intake size (internal diameter)	in	2			
	mm	51			

### CERTIFICATION DATA

Evaluation center (Laboratory)		Intertek Testing Services NA Inc.			
Test report	N°	103455277MID-002			

### U.S. ENVIRONMENTAL PROTECTION AGENCY Certified to comply with 2020 particulate emission standards using pellet fuel.

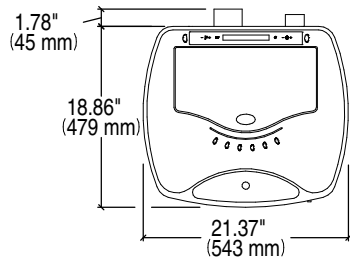
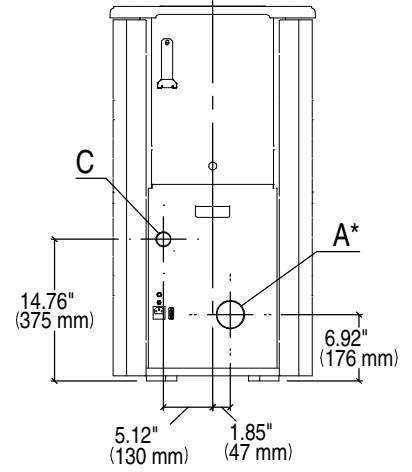
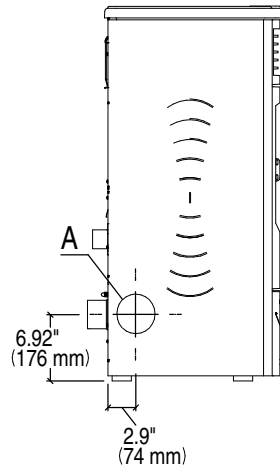
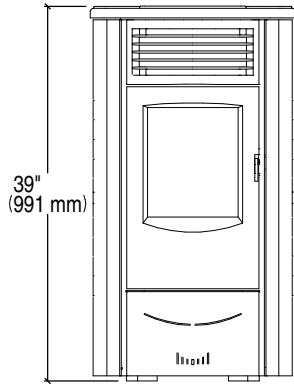
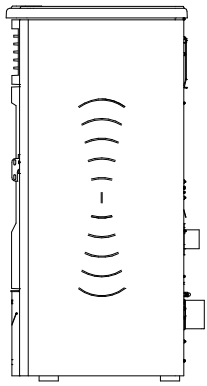
Laboratory data, in accordance with the product technical regulations.

The above data vary in relation to the size and type of fuel used (refer to the section "FUEL"), chimney vacuum and system characteristics. Data regarding the electric absorption vary depending on the network voltage and any KITS or ACCESSORIES which have been installed. Refer to the instructions attached to the Kits or accessories.

2.9 SIZES

MONIA 2.0


Fig. 6



A	C
2.95" (75mm)	1.97" (50mm)

- A** Smoke outlet
- C** Combustion air duct
- \* standard position

### 3 FUEL


 Never use gasoline, gasoline-type lantern fuel, kerosene, charcoal lighter fluid, ethyl alcohol or similar liquids to start or "reignite" a fire in this heater. Keep all such liquids well away from the heater while it is in use.

**Prohibited Fuel Types:**

- Residential or commercial garbage
  - Lawn clippings or yard waste
  - Materials containing rubber, including tires
  - Materials containing plastic
  - Waste petroleum products, paints or paint thinners, or asphalt products
  - Materials containing asbestos
  - Construction or demolition debris
  - Paper products, cardboard, plywood, or particleboard
  - Railroad ties, pressure-treated wood or pallets
  - Manure or animal remains
  - Salt water driftwood or other previously salt water saturated materials
  - Unseasoned wood (defined as wood with an average moisture content of 20% or more)
  - Any materials that are not included in the warranty and owner's manual for the subject wood heater
  - Any materials that were not included in the certification tests for the subject wood heater
- Burning these materials may result in release of toxic fumes or render the heater ineffective and cause smoke.

#### 3.1 PELLET SPECIFICATIONS


 Under no circumstances use fuel other than pellets.

 DO NOT use pellets with dimensions other than those recommended by the manufacturer.


Owner and operators of wood heaters certified to burn pellet fuels must only burn pellets that have been specified in the owner's manual and graded under a licensing agreement with a third-party organization approved by the EPA. The Pellet Fuels Institute, ENplus and CANplus are initially deemed to be approved third-party organizations for this purpose. Additional organizations may apply to the Administrator for approval. There are various types of pellet on the market with qualities and characteristics that vary depending on the processes they have undergone and the type of wood used in their production. Pellet fuel quality can fluctuate from manufacturer to manufacturer, and even from bag to bag. Since the characteristics and quality of the pellet considerably affect product performance, efficiency and proper operation, we recommend that you use "premium grade" pellets. In order to guarantee efficient product operation, Gruppo Piazzetta S.p.A. has tested and programmed its own products with pellets with the characteristics as shown in the table.

Minimum fuel specifications	
Original raw material	Natural pure wood pellet
Length	1/4" - 1 1/4" (6 - 32 mm)
Diameter	0,23" - 0,285" (6 - 7 mm)
Net calorific value	≥ 7500 Btu/lb (4.8 kWh/kg)
Density	≥ 38 lb/ft <sup>3</sup> (609 kg/m <sup>3</sup> )
Moisture	< 8 %
Inorganic fines	≤ 1 %
Chlorides	≤ 300 ppm by weight
Ash content	≤ 1 %
Contains no demolition or construction waste	
Trace metals	≤ 100 mg/kg

Using good quality pellets but with dimensions and heat-producing properties different from those above may require the appliance operating parameters to be changed.

 This "customisation" of appliance operating settings must only be carried out by a T.A.C. (technical assistance centre) or by specially qualified personnel authorised by Gruppo Piazzetta S.p.A..

- Using pellets that are out of date or not in conformity with the manufacturer's recommendations not only damages the stove and jeopardises its performance, but can render the guarantee null and void and relieves the manufacturer of all liability.

 DO NOT use pellets containing sawdust, bark, maize, resins or chemical substances, additives or adhesives.

- DO NOT use damp pellets.

The technical characteristics can be determined only using the relevant tools, but a visual check at the time of purchase can serve to identify:

- good quality: shiny, smooth, regular length, minimal dust
- poor quality: horizontal and diagonal splits, irregular length, abundant dust

**Choosing other unsuitable pellets may:**

- obstruct the grate and flue gas pipe
- increase fuel consumption yet reduce performance
- mean that proper stove operation cannot be guaranteed
- cause dirt to build up on the glass
- leave particles which have failed to burn and heavy cinders.

**The presence of moisture in the pellets increases their volume and causes them to split which in turn causes:**

- malfunction of the fuel-loading system
- inefficient combustion.

**Performance**

Higher ash content requires more frequent maintenance. "Premium" grade pellets will produce the highest heat output.

**Pellets must be stowed in a dry, sheltered place that complies with the relevant safety clearances from the appliance and from heat sources which could cause combustion.**

Wood pellets should be left in their original sealed bag until ready to use, to prevent moisture. Do not store fuel within the specified clearance areas, or in a location that will interfere with routine cleaning and maintenance procedures.

**Ash**


The ash content of the fuel and operation of your stove will directly determine the frequency of cleaning. The use of high ash fuels may result in the stove needing to be cleaned daily. Pellets made from hardwoods generally produce more ash than those made from softwoods.


**Clinkers**

Minerals and other non-combustible materials, like sand, will turn into a hard glass-like substance when heated. Trees from different areas will vary in mineral content. For this reason, some fuels will produce more clinkers than others.

**3.2 INFORMATION REGARDING PELLET LOADING**

In order to load pellets into the hopper, we recommend removing the bag flap opening and emptying it into the hopper. This way, the loading operation is easier and you avoid spilling the pellets over the appliance.

- 
**Do not allow the build-up of residue at the bottom of the hopper.**
  - Do not empty any residue from the pellet bag into the hopper.
  - During loading operations, make sure that no pellets fall out of the hopper as they could come into contact with hot surfaces and ignite.
  - Do not leave leftover pellets on top of the stove: they could catch fire.
  - Do not fill the pellet hopper in excess of normal capacity and do not compress the fuel.
  - Don't remove the protective grill inside the pellet hopper.

- 
**Some appliances are equipped with a protection grille inside the hopper. Removing this grille is forbidden.**
  - Only keep the cover of the pellet hopper open for as long as it takes to complete the refill operation. To ensure optimal operation, some models activate an error signal in the event the hopper cover is left open for a time exceeding the set time.

**3.2.1 Pellet indicator**

When the red reload indicator can be seen inside the hopper, it is possible that the auger is not perfectly loaded which would cause irregular pellet unloading in the grate and start-up failure.



Fig. 7

 **DO NOT LOAD PELLETS WHEN APPLIANCE IS ON if the red refill indicator is visible inside the pellet tank.**

Follow the instructions below if the red refill indicator is visible:

- switch off the appliance
- with the appliance off, reload the hopper

If the auger is even partially emptied, it is probable that the first start-up attempt may fail.

In this case, refer to the manual "OPERATING INSTRUCTIONS" in the sections "FILL AUGER" and "MESSAGES - SAFETY WARNINGS - ANOMALIES".

If an alarm is triggered, deactivate the appliance by pressing the ON/OFF key for a few moments, remove the fuel in the grate and set a new ignition cycle.

Any unburned pellets to be found in the grate must be disposed of.

## 4 GENERAL INFORMATION REGARDING THE SYSTEM

Below is some general information regarding the system, appliance installation and products manufactured by Gruppo Piazzetta S.p.A.



Please refer to the installation standards or other informative documentation provided by the manufacturer for further information.

### 4.1 INSTALLATION ROOM

The appliance is to be installed in a room which allows installation, user and maintenance operations to be performed safely and easily.

Contact local building authority before installation to determine if a permit and/or inspection is required.

When locating your appliance, consider the building structure to ensure the vent will not interfere with any ceiling joists, roof rafters, wall studs, water pipes or electrical wiring. It may be easier to relocate the appliance than to rework the building structure.

The layout of your house and the location of the pellet stove will determine how effective it is at heating the intended area (e.g., in main living area versus basement versus outdoors in sub-freezing temperatures).

Pellet stoves use mainly air circulation to disperse their heat, therefore a central location works best.

Consider the following things when selecting a location:

- use of an existing chimney
- location of vent termination
- aesthetic considerations
- interference with house framing, plumbing and wiring
- floor protection
- room traffic patterns
- proximity to combustibles
- location of air for combustion
- electrical outlet
- pellet fuel storage.



The room where the appliance is to be installed must comply with the following requirements:

- It must not be used as a garage, store for combustible material or for activities with a risk of fire.
- Locating the stove in a room with an explosive atmosphere is prohibited.
- must not be smaller than stated in the regulations and calculated by a specialist heating technician
- must not be a bedroom, studio flat, bathroom, shower room or similar
- it must not have a low pressure compared to the exterior due to a counter draught caused by the presence of another appliance or extractor device in the room where the appliance is installed (eg. forced ventilation systems or other heating systems using ventilation to change the air).



Appropriate ventilation in the installation room must be ensured (refer to the section "*FRESH AIR INTAKE*").

- The installation room and the area which is to be heated must be suitable sized and have appropriate characteristics in relation to the heating capacity of the appliance. Compare the information provided in the section "*TECHNICAL DATA*" with the power required by the area which is to be heated.
- If the room or the product installation area (technical room, perimeter walls, recess, supporting walls, etc.) are not suitably insulated, the heating capacity of the appliance will be reduced.
- Consult a heating technician or engineer for a correct check and calculation of the requirement of the environments to be heated and the corresponding regulations.
- The appliance cannot be installed or operated outdoors, only indoors or in suitable technical rooms. Installing the appliance outdoors could create dangerous situations, cause health problems or lead to operating faults.



The existence of more than one appliance is only permitted if allowed by the regulations and manufacturer of each individual appliance.

- If the existence of more than one appliance is permitted, all regulations and provisions supplied by the manufacturer of each individual appliance are to be respected.



Make sure that the floor of the installation room is able to withstand the weight of the product including any cladding, accessories and trim. If the floor does not have a suitable load-bearing capacity, take adequate counter-measures.

- If the flooring is made of wood, provide a floor protection surface in compliance with current national standards.



Have a smoke monitor/CO detector, especially in areas that are expected to generate CO (e.g., heater fueling areas, pellet fuel bulk storage areas).

- Follow the smoke detector manufacturer's placement and installation instructions and maintain regularly.

## 4.2 FRESH AIR INTAKE

In order to operate normally, each appliance must be provided with the air needed for combustion.

If a number of appliances are to co-exist, sufficient airflow must be guaranteed for each individual product in full compliance with regulations and according to the manufacturer's indications.

For a question of health, in addition to providing the air flow needed for combustion, it is also recommended that the air inside the installation room is suitably changed.

The airflow needed for the firebox can be obtained in different ways, for example:

- from the installation room or adjacent rooms
- by means of a fresh air intake directly into the room and with ducting
- with a direct connection to the combustion chamber.

In brief, the fresh air intake:

- must guarantee sufficient clean air flow for combustion: air cannot be taken from potentially polluted areas
- must have a total free cross section of at least the value indicated in the section "TECHNICAL DATA" and in any case, equal to or greater than the section of the air intake on the appliance
- be protected by a grille or suitable protection which does not reduce the recommended minimum section
- be positioned in such a way that it is not obstructed and maintenance and inspection operations are possible.

### Indications for airtight installations and installations with combustion air intake directly from the outside (according to reference standards)

Airtight installations must be carried out by connecting the combustion air inlet of the appliance directly to the fresh air intake using a connecting pipe.

The connecting pipe for the combustion air inlet of the appliance must comply with the following requirements:

- have a diameter equal to or greater than the diameter of the inlet on the appliance
- be of a suitable type and made from a non-combustible material
- the pipes, the connectors used and the installation methods must guarantee an airtight seal
- if they are connected directly to the outside, the inlet must prevent atmospheric conditions from negatively affecting the combustion, for example, by means of the installation of a 90° bend at the inlet facing downwards or a shatter-proof guard.

For the product to operate correctly, the ducting must have the characteristics specified in the section "COMBUSTION AIR CONNECTION".

## 4.3 CHIMNEY

Every appliance shall be connected to a chimney in order to discharge the combustion gases outside via natural draught.

Location of the appliance and chimney will affect performance.

- Install through the warm airspace enclosed by the building envelope. This helps to produce more draft, especially during lighting and die-down of the fire.
- Penetrate the highest part of the roof. This minimizes the effects of wind loading.
- Locate termination cap away from trees, adjacent structures, uneven roof lines and other obstructions.
- Minimize the use of chimney offsets.

It is recommended that the chimney has a chamber for collecting solid matter and any condensate below the connection and which may be easily opened and inspected by means of an air tight door

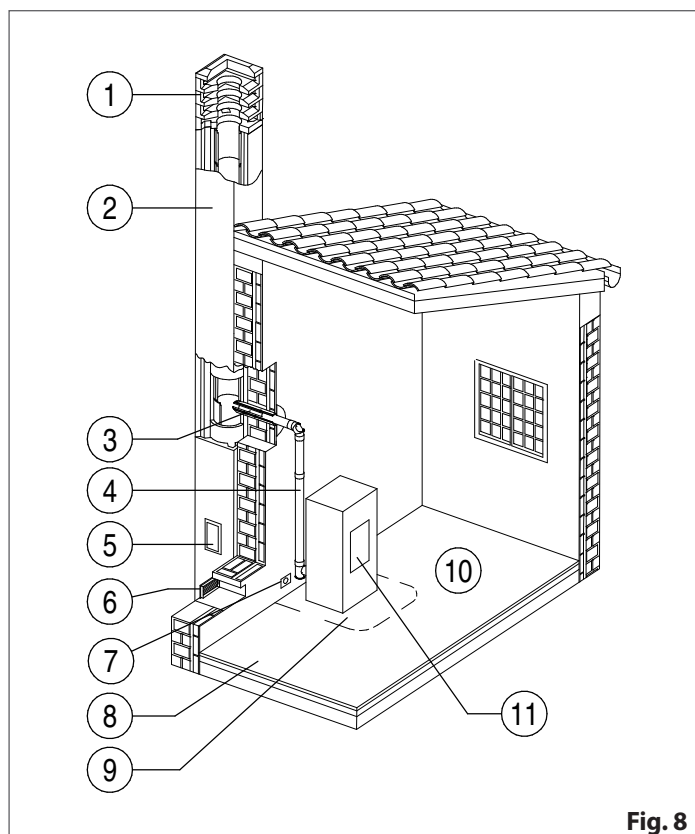


Fig. 8

- 1 Chimney terminal
- 2 Flue
- 3 Connection to the flue
- 4 Flue pipe
- 5 Soot inspection
- 6 Fresh air intake
- 7 Electrical supply
- 8 Check the load bearing capacity of the floor
- 9 Minimum safety distances
- 10 Installation environment
- 11 Appliance (Heat generator)

## 4.4 FLUE PIPE



The stove requires a UL or ULC listed pellet vent: a venting system composed of listed, factory-built components assembled in accordance with the manufacturer's instructions and determined suitable for use with solid fuel pellet-burning appliances.



Do not use to vent pellet appliance these venting materials and products:

- Dryer vent
- Gas appliance vent
- PVC (plastic) pipe.

**!** The pellet stove is not the same as other stoves. It has a forced draught of flue gas by a fan, which keeps the firebox in a vacuum and the entire flueway slightly pressurized. For this reason the flue must be completely airtight and correctly installed to ensure both trouble-free operation and user safety.

**!** The flueway must be made by specialised personnel or firms.

- All pellet vent pipe must be secured together either by means provided by pipe manufacturer or by 3 screws at each joint.
- If vented horizontally, joints shall be made gastight in a manner that shall be specified by the manufacturer.
- Use silicone to create an effective vapor barrier at the location where the chimney or outside air ducting passes through to the exterior of the structure.
- Using the relative pipe clips, fix the flue to the wall so that it does not weigh on the smoke fan.

**⊘** DO NOT INSTALL A FLUE DAMPER IN THE EXHAUST VENTING SYSTEM OF THIS UNIT.

- DO NOT CONNECT THIS UNIT TO A CHIMNEY FLUE SERVING ANOTHER APPLIANCE.
- Do not connect to a flueway into which extractor hoods discharge vapours.

**!** The very hot exhaust gases may cause skin burns: keep a considerable distance away from the appliance.

- The exhaust gases from the combustion of pellets fuel may dirty the outside of the walls. To avoid such possibility terminate the vent above the roof line.

**!** INSTALL EXHAUST VENT AT CLEARANCES SPECIFIED BY THE MANUFACTURER.

- Follow these instructions along with all local codes regarding installation of this appliance.
- Do NOT use makeshift compromises when installing this appliance, serious consequences may result.

**!** THE CHIMNEY AND CONNECTOR MUST BE MAINTAINED IN GOOD CONDITION AND KEPT CLEAN.

**Pipes and maximum lengths which may be used**

The exhaust pipe on all stoves is 2.95" O.D. so the stove was designed to accommodate a 3" stove pipe adaptor but the diameters of the pipes depends on the type of installation. Your installation may require the use of 4" vent as shown in the table.

TYPE OF INSTALLATION	WITH 3" DIA-METER PIPE	WITH 4" DIA-METER PIPE
For installations at altitudes over 4000' (1200 m)	-	Required
Maximum number of elbows or "TEE" connectors	3	4
Maximum length of horizontal sections	10' (3 m)	12' (3,6 m)
Maximum length of vertical sections	≤ 15' (4.6 m)	> 15' (4.6 m)

Where 4" (10 cm) diameter pipe must be used, connect it to the stove flue outlet with a "TEE" connector.

Pellet stoves depend on a combustion fan to pull air through the unit for combustion. The venting system restricts the ability of the combustion fan to move the required amount of air through the unit. A system with too much resistance will result in incomplete combustion, more frequent required cleaning and poor unit performance. It is always best to choose a location for the appliance that will result in a venting system with the shortest vent length.

**i** **Combustion optimization.** If necessary, this appliance allows a T.A.C. (technical assistance centre) or a qualified personnel authorised by Gruppo Piazzetta S.p.A. to optimize the combustion for different altitudes, flue configurations and pipe dimensions by setting the factory recommended water column / Pascal differential firebox pressure with the use of a pressure gauge.

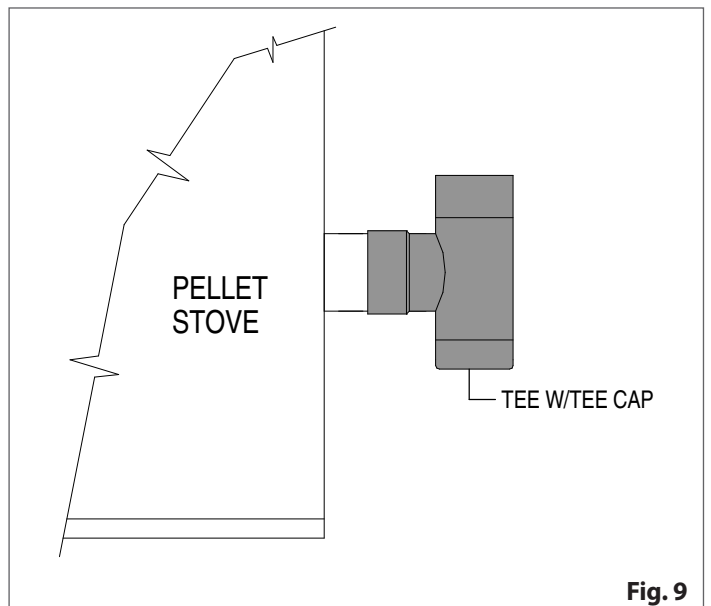


Fig. 9

**"TEE" connector**

The use of this type of fitting must allow for the collection of condensate mixed with soot, which builds up inside the pipe. It must also permit periodic cleaning of the flue without the need to disassemble the pipes.

Single or double clean-out tees may be used.

An example is given below of a flueway connection, which allows complete cleaning without having to disassemble the pipes.



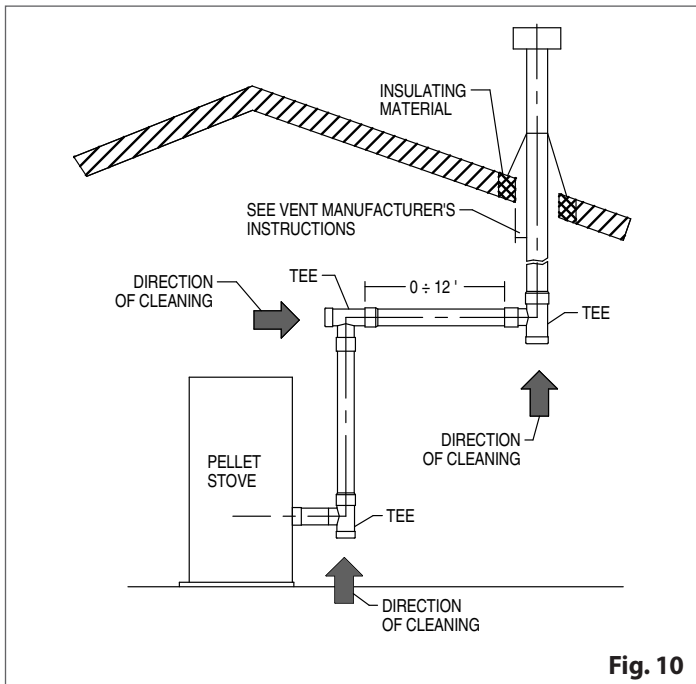


Fig. 10

Horizontal installations that terminate without any vertical sections of pipe are approved; however, it is recommended that the vent system be installed with a minimum of 5' (1.5 m) of vertical rise above the exhaust port on the back of the stove. Having a vertical section in the venting will help prevent smoke from exiting the appliance during power failures. FAILURE TO PROVIDE THE NATURAL DRAFT THAT RESULTS FROM A VERTICAL RISE MAY RESULT IN SMOKE BEING RELEASED INTO THE HOUSE WHEN ELECTRICITY TO THE UNIT IS INTERRUPTED WHILE BURNING OR SMOLDERING FUEL REMAINS IN THE BURN GRATE. It is not recommended to run vertical venting outside the heated environment where the stove is installed. Running a venting system in a cold environment may cause the flue temperatures to cool down too much for adequate drafting.

**⚠ Gruppo Piazzetta S.p.A. assumes no responsibility for, nor does the warranty cover, smoke damage caused by reverse drafting of pellet stoves under power failure conditions or as a result of extreme negative pressure in the home.**

#### 4.5 INTERIOR VENT INSTALLATION

This kind of installation provides the natural draft that results from a vertical rise avoiding smoke being released into the house when electricity to the unit is interrupted while burning or smoldering pellets remains in the burn grate.

General vent layout is shown in figure and the procedure is as follows:

- use a plumb line to determine location of PL Vent penetration of ceiling
- cut hole in ceiling and frame to appropriate opening size. Framing material shall be the same as that of adjacent joist material
- install a black ceiling support from under the level of the beam and fix using 4 twisted nails or screws, 1.5" (38 mm). Alternatively, use a support attachment instead of a black ceiling support. The attachment is suitable for openings in the ceiling from below and is fixed to the beams with 4 twisted nails or screws, 1.5" (38 mm)

- insert first vent section through support and tighten the clamp screw. Additionally fasten the vent with four screw (max 1/2" (13 mm) long) through the support collar and into the vent skin
- install the vent section(s) atop the first. Twist lock sections together with a clock-wise turn. Before twisting, push vent sections firmly together for proper lock barb engagement. Enough twisting force must be applied to ensure that the collars will compress gasket material
- firestops are required where the vent penetrates a floor or ceiling. Cut a hole of the appropriate size in the ceiling/floor and install the firestop from above or below the joist. Fasten the firestop with nails through the corners
- continue the vent up through the roof line
- extend the vent up to the roof pitch
- slide the Flashing over the Vent until it sits on the roof line. Slip the upper side of the Flashing base under the roof shingles. Nail the flashing to the roof with a minimum of 8 roofing nails. Seal the Flashing base with appropriate roofing mastic
- slide the Storm Collar down the Vent until it sits on the flashing. Apply a bead of silicone around the top of the Storm Collar

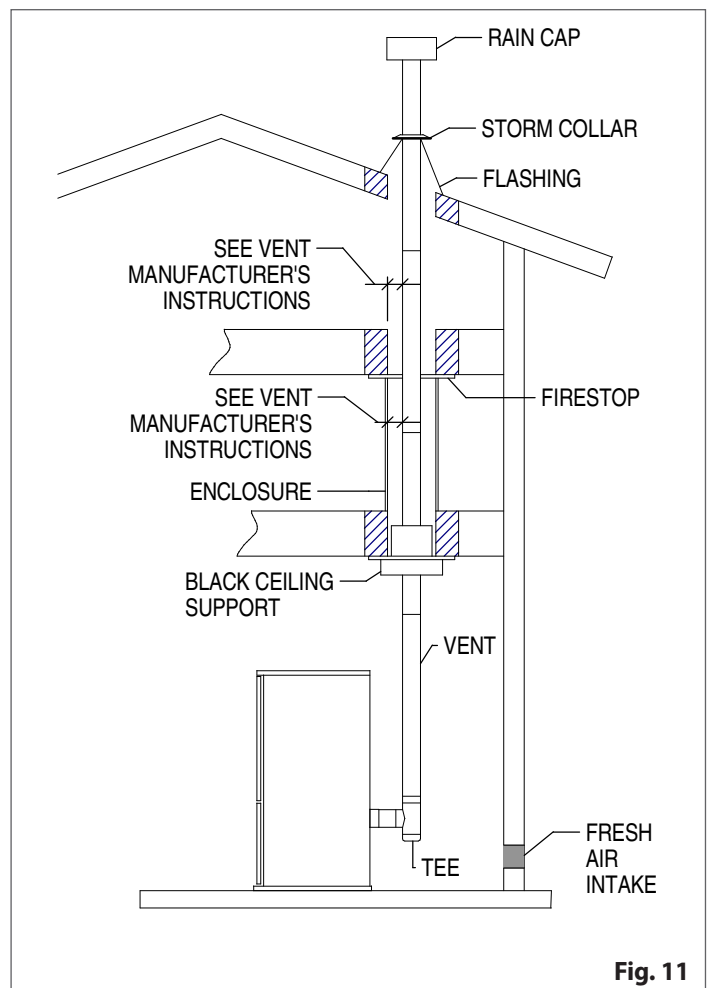
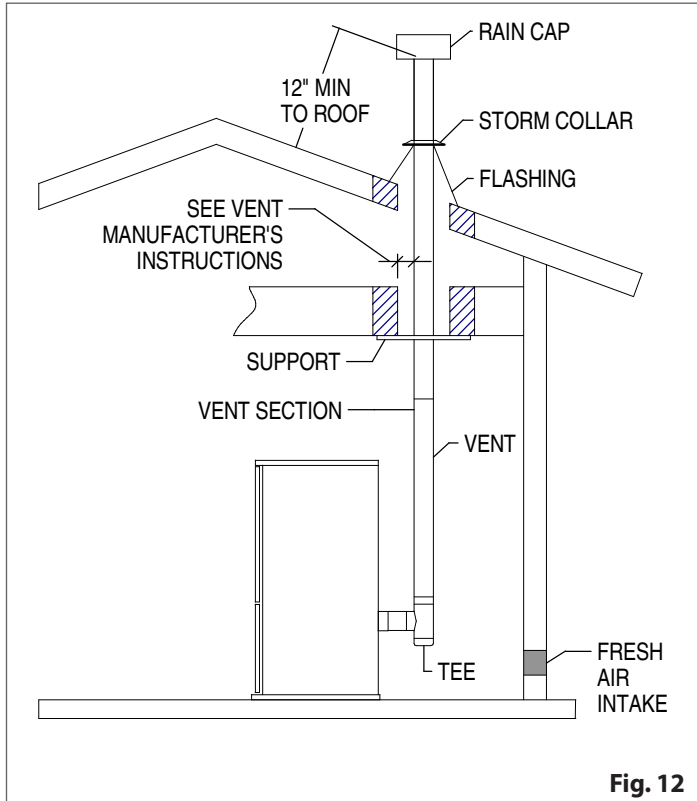


Fig. 11

- extend the PL Vent at least 12" (305 mm) above the roof line and terminate with a PL listed Rain Cap. If the Vent extends more than 6' (1.8 m) above the roof penetration, Roof Brace Poles and a Roof Brace Band must be used to provide lateral support. In geographical regions experiencing sustained low ambient temperature is recommended to enclose exterior vents below the roof line. This help reduce condensation, soot accumulation, and poor drafting
- set the Rain Cap onto the top Vent section and twist lock it to the top Vent section
- where the vent system penetrates the air/vapor barrier, the barrier must be sealed to the ceiling support or firestop.



**Fig. 12**

**!** Be sure to use approved pellet vent pipe and ceiling pass-through fittings to go through combustible ceilings.

- Strictly observe the PL Vent manufacturer's safety specifications when using ceiling pass through.

**!** INSTALL VENT AT CLEARANCES SPECIFIED BY THE VENT MANUFACTURER.

- Ensure that all installation work is carried out to professional standards.

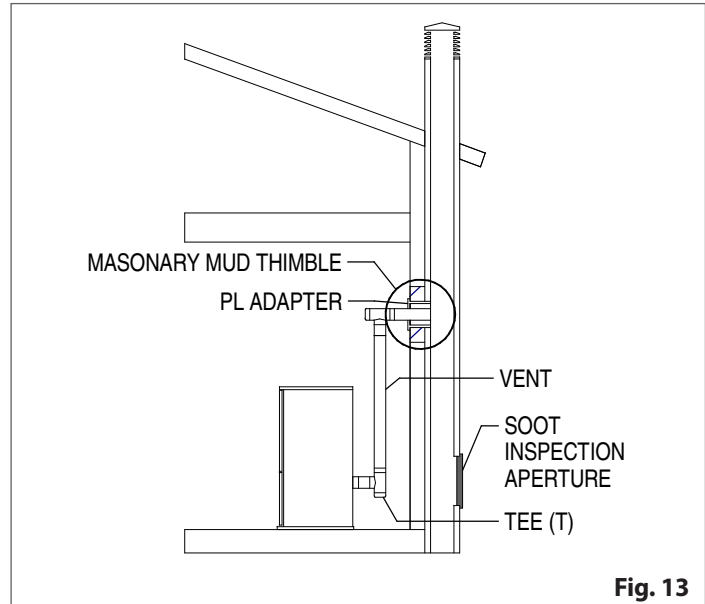
#### 4.6 CONNECTING TO A CONVENTIONAL CHIMNEY

The stove may be connected to an existing Class A chimney or a masonry chimney which meets the minimum requirements of NFPA 211.

This kind of installation provides natural draft in the event of a power failure, reducing the probability of burn-back and back-drafting.

**!** Check that the connection to the flueway is gas/smoke-tight.

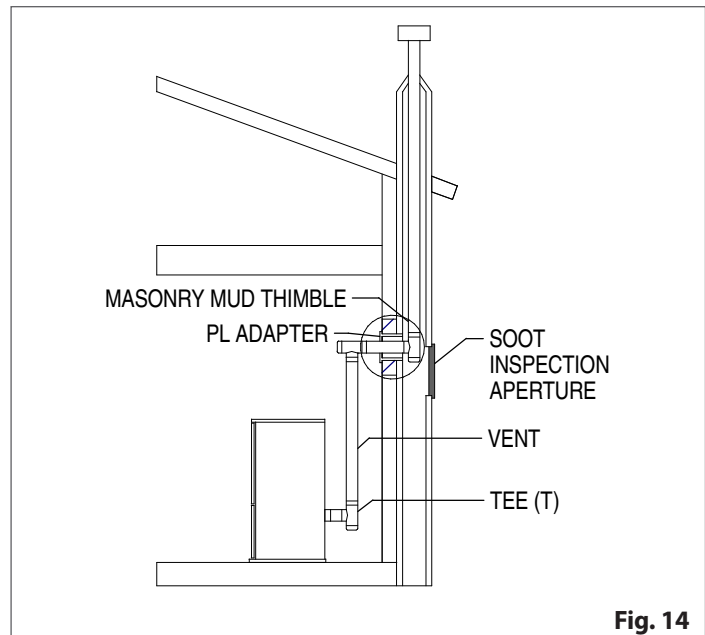
If you wish to use an existing chimney it is strongly recommended that you have it checked by a professional chimneysweep to ensure that it is completely airtight. The reason for this is that the smoke, because it is slightly pressurised, can infiltrate any cracks in the flue and escape into living spaces.



**Fig. 13**

If upon inspection you find that the chimney is not completely sound, a relining of the chimney with either PL vent or single wall stainless steel pipe may be necessary to bring the chimney into compliance.

Put attention: some areas require that a liner must be always installed to the top of the flue, as shown in figure even if the existing chimney is in compliance.



**Fig. 14**

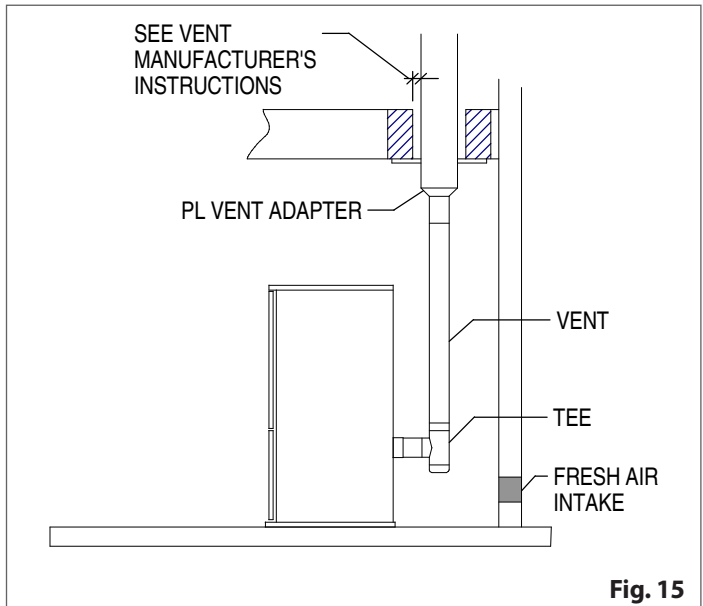
When chimneys are relined, a chimney chase cap that reduces the outlet of the chimney to the size of the liner is required. Extend the exhaust vent above the chimney chase cap and finish it off with a rain cap.

**A single wall liner may need to be insulated to maintain adequate exhaust temperatures in the vent system.**

**⚠ Outside chimneys frequently are difficult to keep warm: it is recommended that you insulate the liner.**

Venting into the side of an existing masonry chimney must be done through a masonry thimble. When wall penetration is necessary to access a masonry chimney, use a listed PL vent wall thimble.

When venting into a Class A steel chimney, use an appropriate PL Vent adapter.



**⚠ Strictly observe the PL Vent manufacturer's safety specifications.**

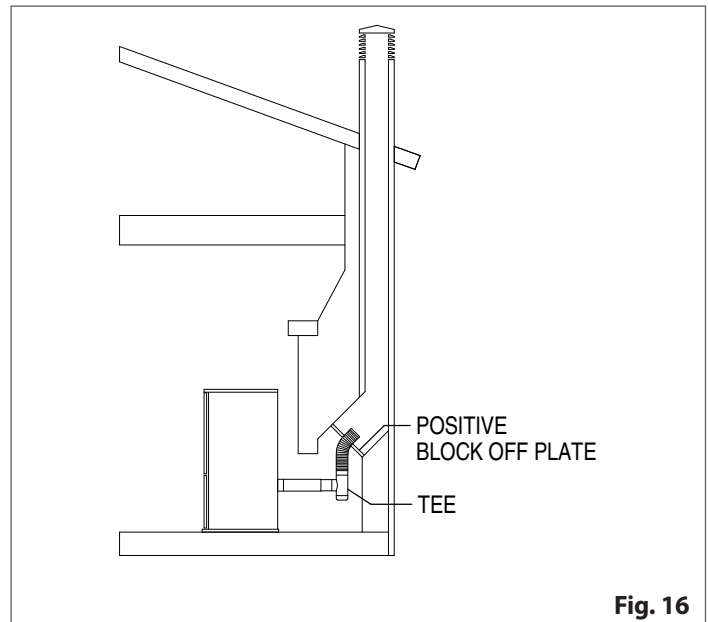
- **INSTALL EXHAUST VENT AT CLEARANCES SPECIFIED BY THE MANUFACTURER.**
- **Ensure that all installation work is carried out to professional standards.**

#### 4.7 INSTALLING INTO AN EXISTING FIREPLACE CHIMNEY

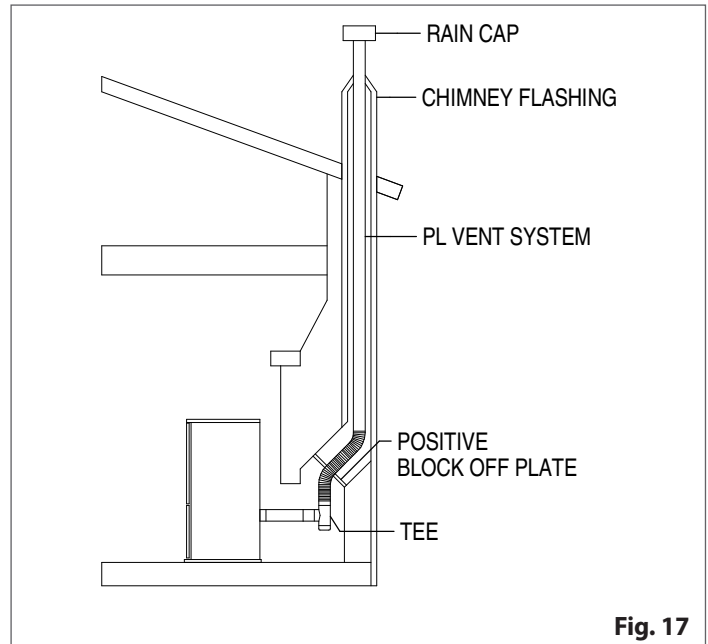
This kind of installation also provides natural draft in the event of a power failure.

When installing as a hearth mount stove into a firebox the unit must either be relined, terminating above the chimney chase top, or positively connected to the existing chimney system using a block off plate.

An approved flex liner of PL vent must be used.



In some areas it is required that the vent pipe extend all the way to the top of the chimney. The pipe or liner inside the chimney should be 4" (10 cm) diameter.



**⚠ A chimney system with known drafting problems may require a liner, which may also need to be insulated to keep vent system warm in cold chimney environment.**

- **A cap shall be installed on the chimney to keep out rain.**
- **Strictly observe the PL Vent manufacturer's safety specifications.**

**⚠ INSTALL EXHAUST VENT AT CLEARANCES SPECIFIED BY THE MANUFACTURER.**

- **Strictly use listed pellet vent pipe fittings.**
- **Ensure that all installation work is carried out to professional standards.**

#### 4.8 SHORT RISE INSTALLATION - WALL OUTLET

When terminating the exhaust system under the houses eaves, the following requirements shall be fulfilled:

- in selecting locations for appliance and vent, take into consideration the NPFA 211 rule for distance of exit terminal from window and openings
- run the vent vertically up the wall, ensuring to maintain a minimum of 3" (8 cm) clearance between the wall and vent
- a wall band must be installed just above the "TEE" and at least every 6' (183 cm) of vent rise or, if the rise is inferior, at the end of the vertical run
- after a rise of at least 5' (1.5 m), install a 90° elbow aimed out from the building wall
- attach a 45° elbow to the 90° elbow, aiming the second elbow down toward the ground. Terminate the vent with a collar with screen fastened to the 45° elbow
- the end of the vent pipe system must be at least 12" (305 mm) from the wall and 24" (61 cm) below the eave

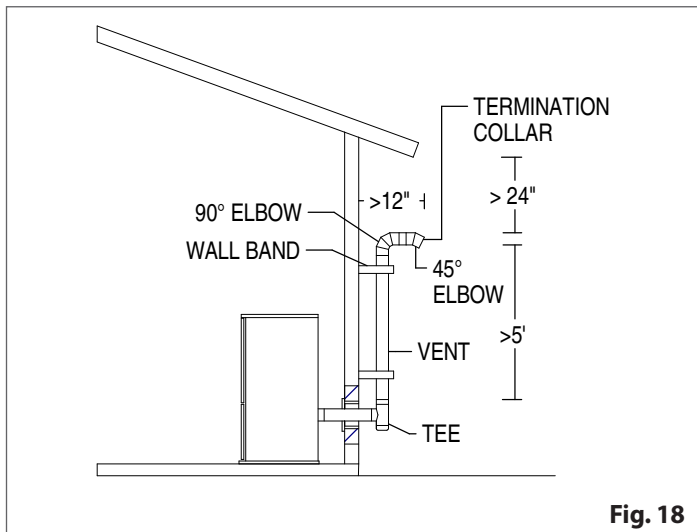


Fig. 18

This configuration will help prevent blockage of vent by snow drifts. Also the minimum vertical run of 5 feet (1.5 m) ensures the ventilation of the exhaust in the event of a power failure, and allow for easier cleaning through cleanout on "TEE".

**!** Certain local code restrictions may apply. Check with Local Officials first before installing.

- Strictly observe the PL Vent manufacturer's safety specifications when using wall pass through.
- **INSTALL EXHAUST VENT AT CLEARANCES SPECIFIED BY THE MANUFACTURER.**

**!** Double wall PL vent requires a minimum clearance to combustibles according to the manufacturer's safety specifications and the use of listed wall thimble, fire stop or roof flashing where applicable.

- Do not place joints within wall pass-throughs.
- Ensure that all installation work is carried out to professional standards.

#### 4.9 MINIMUM FLUE VENT CONFIGURATION

Horizontal installations that terminate without any vertical sections of pipe are approved; however, it is recommended that a minimum of 5' (1.5 m) of vertical be included in the vent system. Having a vertical section in the venting will help prevent smoke from exiting the appliance during power failures.

It is required that outside air be installed with this venting configuration to reduce smoke and creosote smell in the room in the event of power failure.

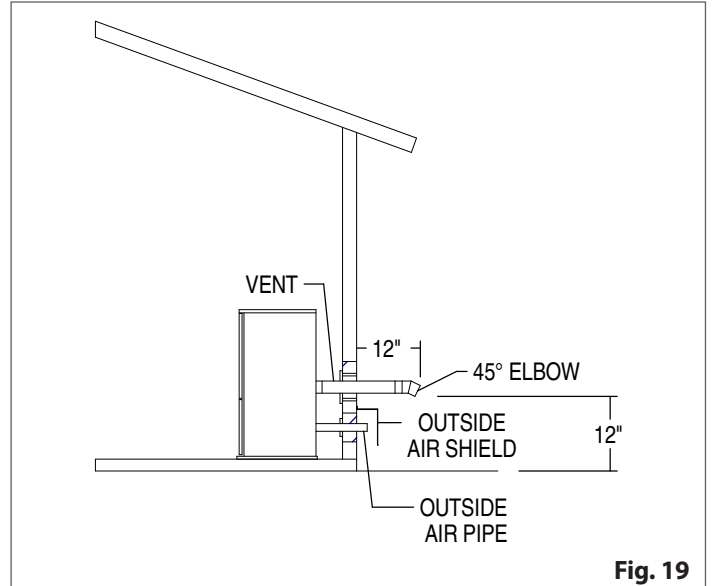


Fig. 19

**!** This Installation may cause problems during adverse weather or power failure.

- We strongly recommend using a battery backup system if the stove is installed using horizontal venting only. This prevents any smoke from entering your home in the event of a power failure.

**!** Certain local code restrictions may apply. Check with Local Officials first before installing.

- Strictly observe the PL Vent manufacturer's safety specifications when using wall pass through.
- **INSTALL EXHAUST VENT AT CLEARANCES SPECIFIED BY THE MANUFACTURER.**

**!** Double wall PL vent requires a minimum clearance to combustibles according to the manufacturer's safety specifications and the use of listed wall thimble, fire stop or roof flashing where applicable.

- Do not place joints within wall pass-throughs.
- Ensure that all installation work is carried out to professional standards.

### 4.10 VENTING: TERMINATION REQUIREMENTS

In determining optimum vent termination, carefully evaluate external conditions especially when venting directly through a wall. Since you must deal with odors, gases, and fly ash, consider aesthetics, prevailing winds, distances from air inlets and combustibles, location of adjacent structures and any code requirements.

- Exhaust must terminate above combustion air inlet elevation.
- Do not terminate vent in any enclosed or semi-enclosed area, (i.e. Carports, garage, attic crawl space, etc.) or any location that can build up a concentration of fumes.
- Terminals must not be recessed into a wall or siding.
- When setting into place flue caps you should consider wind factors such as dominate wind directions and currents in order to avoid down draft, fly ash and/or smoke.
- The exit terminal shall be arranged such that flue gases are not directed so they jeopardize people, overheat combustible structures, or enter buildings.
- Through-the-wall vents shall not terminate over public walkways or over an area where condensate or vapor could create a nuisance or hazard or could be detrimental to the operation of regulators, relief valves, or other equipment.

**⚠ Vent surfaces can get hot enough to cause burns if touched by children. Non-combustible shielding or guards may be required.**

- Be sure to use approved pellet vent pipe and wall pass-through fittings to go through combustible materials.

The type of installation must first be considered before determining the exact location of the venting termination in relationship to doors, windows, cavities or air vents.

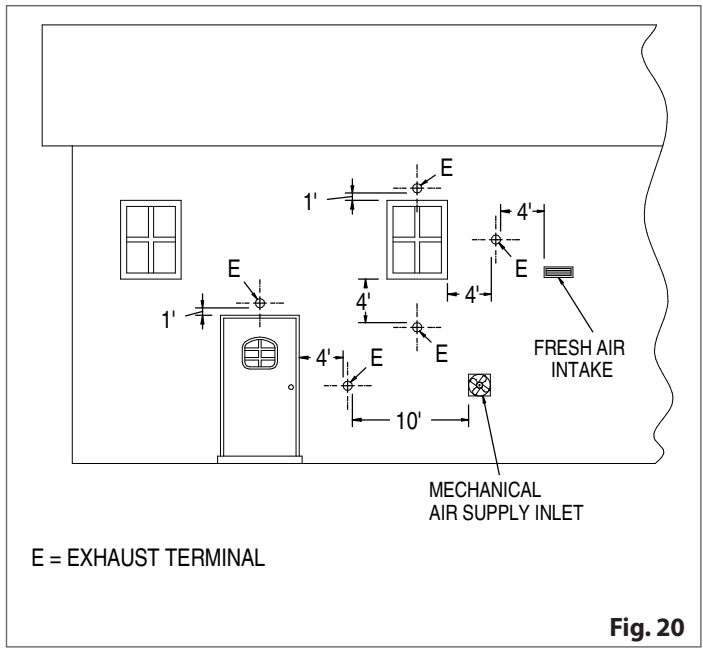


Fig. 20

The exit terminal shall be located not less than 4' (1.2 m) below, 4' (1.2 m) horizontally from, or 1' (305 mm) above any door, window, or gravity air inlet into any building.

The clearance to a non-mechanical air supply inlet to the building or the combustion air inlet to any other appliance must be a minimum of 4' (1.2 m).

The clearance to a mechanical air supply inlet must be a minimum of 10' (3.1 m).

The exit terminal shall be located not less than 3" (0.92 m) above any forced air inlet located within 10' (3.1 m).

See NFPA 211 for installation clearance reductions with outside air connected to the appliance.

The exhaust termination shall be located not less than:

- 1' (305 mm) above the ground level (non-combustible materials)

**⚠ The minimum vertical rise shall always be not less than 5' (1.5 m)**

- A flue at 1' (305 mm) above ground is not enfant safe: we strongly reccomend that the exhaust termination of flue be raised another 4' (1.2 m) to avoid injury.

- 7' (2.1 m) from a public walkway, but attention to where the vent shall end its course, as it is not to be in between or serve two family dwellings and/or directly above side-walks or paved driveways
- 1' (305 mm) from the wall penetration point
- 3' (915 mm) from any adjacent combustibles such as: adjacent buildings, fences, protruding parts of the structure, roof eaves or overhangs, plants, shrubs, etc. The distance is measured from the center of the outlet or cap. This 3" radius continues to grade.

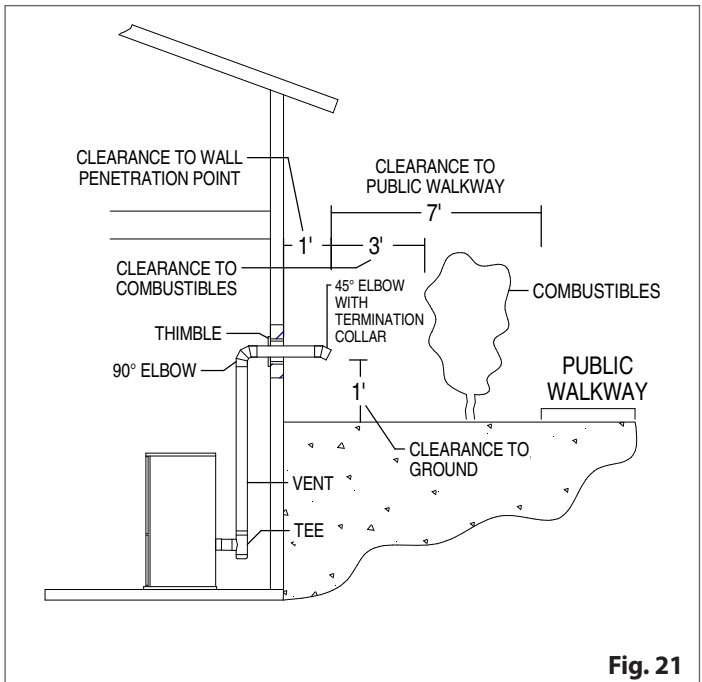


Fig. 21

Certain Canadian and/or U.S.A. local state or regulations may require different clearances.

**⚠ The exhaust gases from the combustion of pellets fuel may dirty the outside of the walls. To avoid such possibility terminate the vent above the roof line.**

## 4.11 MOBILE HOME INSTALLATION

The stove has been tested and listed for mobile home installations.

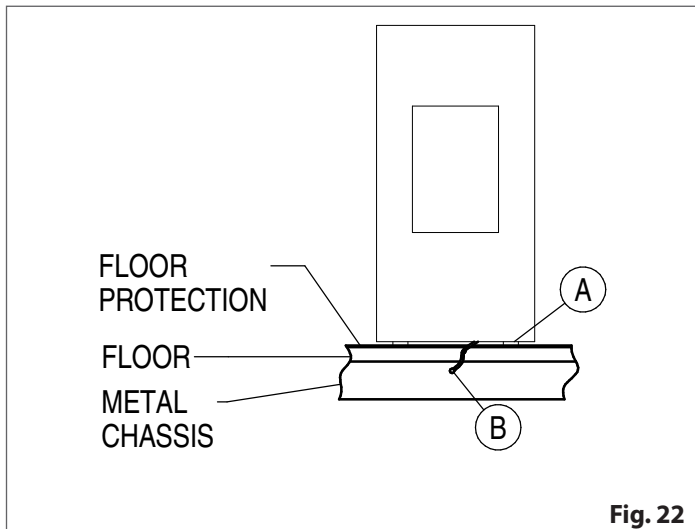
Unit must be installed in accordance with the: **Manufactured Home Construction and Safety Standards published by the Department of Housing and Urban Development (HUD). See 24 CFR 3280.**

In addition to all previously detailed requirements, mobile home installations must observe the following:

- Permanently bolt the stove to the floor. Use 4 screws (A) through the 4 holes placed at left and right side in the base plate as shown in figure.
- Electrically ground the stove to the metal chassis of the home using a number 8 gauge or larger copper wire (B).
- Proper supports and spark arresters must be considered when installing venting.
- Follow Manufacturer's guidelines concerning height and clearances to combustibles in the reference paragraphs.
- Use the same manufacturer's components to provide an effective vapor barrier where the chimney or other component penetrates to the exterior of the mobile home.
- Do not mix components from different manufacturers.
- Floor protection and clearances requirement must be followed precisely as shown in the reference paragraphs.

PL Vent must be used for exhaust venting (single wall vent is not allowed). Follow PL Vent manufacturer's installation directions and observe all listed clearances to combustibles.

Check any other local buildings codes or other codes that may apply.



Combustion air must come from the outside of the mobile home.

- Failure to do so may create negative pressure within the mobile home and could disrupt proper venting and operation of the pellet stove.
- The user must routinely inspect the point where air is drawn in to insure that it is clear of leaves/debris and ice or snow.



**CAUTION: THE STRUCTURAL INTEGRITY OF THE FLOORS, WALLS, CEILING AND ROOF MUST BE MAINTAINED.**



**WARNING: DO NOT INSTALL IN A SLEEPING ROOM AND IN A BATHROOM.**

## 5 PREPARATIONS FOR INSTALLATION

**!** Product installation and maintenance must be carried out exclusively by qualified personnel with sufficient knowledge of the product itself.

- This work must also be carried out using suitable equipment and in full compliance with all health and safety regulations.

### 5.1 HANDLING

In order to prevent any accidents or damage to the product, please follow the recommendations below.

- Unpacking and installation must be carried out by at least two people
- the product must always be moved and handled with suitable equipment in full compliance with current safety regulations
- wear suitable personal protective devices (gloves, safety shoes, etc.)
- the packaged product must be kept in the position according to the directions shown by the diagrams and signs on the pack
- if using ropes, webbing, chains, etc., make sure that they are suitable for the weight to be unloaded, are in good condition and suitably protect the product at the contact points
- use slow continuous movements when moving the pack to avoid jerking the ropes, chains etc.
- do not tilt the package excessively to avoid toppling
- never stand in the vicinity of loading/unloading equipment (forklift trucks, cranes etc.).

When handling any steel parts of the cladding it is advisable to use clean cotton gloves to avoid leaving fingerprints which are difficult to remove at first time of cleaning.

### 5.2 UNPACKING

**!** When unpacking and removing the packaging material, make sure the product is not scratched or damaged.

- Do not leave parts of the packaging where they are within the reach of children as they could be dangerous. Dispose of them according to legislations currently in force.
- Remove the accessories' packaging and any pieces of polystyrene or cardboard used to secure removable parts, etc. from the firebox.

**!** Make sure that while working, the lower parts of the side panels and the lower front panel do not get misshapen, scratched or damaged.

Move the side panels (1) and remove their protections (2) remove the pallet fastening brackets (3) unload the stove from the pallet and move it to the installation position.

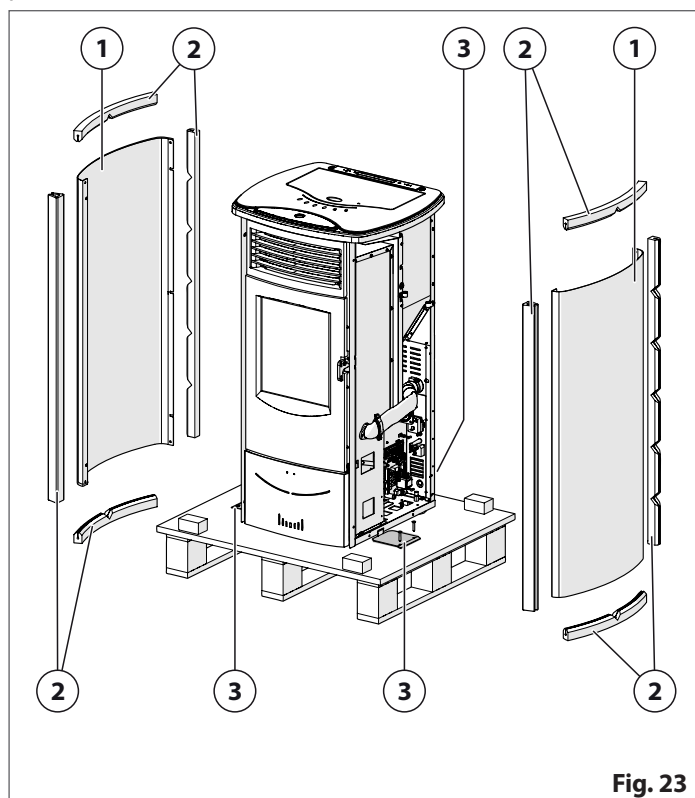


Fig. 23

## 6 INSTALLATION

**!** For all installation and maintenance interventions which require access to inside the cladding, the smoke chamber or access to electrical and electronic parts, the user must contact a T.A.C. (Technical Assistance Centre) or qualified technician.

- All installation, cleaning and maintenance work is to be carried out when the fire is out, the appliance is cold and with the power cable of the product itself and/or any other accessories disconnected.
- This work must also be carried out using suitable equipment and in full compliance with all health and safety regulations.

### 6.1 ACCESS TO THE INTERNAL PARTS OF THE PRODUCT

If working inside the cladding, remove the side panels following the indications provided in the paragraph "CLADDING AND TRIM".

## 6.2 MINIMUM SAFETY DISTANCES

The position of the product inside the room must take into account not only the regulations, heating requirements, the shape of the installation and adjoining rooms but also accessibility during installation, use and maintenance operations. It is therefore recommended that an area greater than the one indicated, is left around the appliance to facilitate maintenance interventions and prevent overheating problems.

The walls adjacent to the product, the structure above the appliance and the floor on which the appliance rests must be in non-combustible material.

Installation is allowed near heat-sensitive or combustible materials as long as there is suitable insulation protection and distances are respected. In the case of a wooden floor, a protective base must be used: e.g. minimum 20 gauge sheet metal plate, marble, ceramic tile, stone, brick, etc.

Construction elements which are already present such as wooden beams or a counter-hood and all trims in combustible material must be positioned outside the irradiating range of the product and away from any grilles or slits from which hot air is released. Suitable insulating material must be used.

**!** The product must be installed in compliance with the appropriate safety distances from the walls and objects. Failure to comply with these indications could result in fire.

**!** Keep any combustible or heat-sensitive products such as wooden furniture, curtains, carpets, fabric, clothing, ornaments and flammable liquids well away from the product while it is in operation (where not indicated, minimum of 39"/99 cm).

The heat radiation area shall be free from combustible or heat-sensitive materials.

The floor protection must extend:

- at least the area under the product
- a minimum of 6" (152 mm) in front of unit and beyond each side of the fuel loading and ash removal opening (see figure for the distances from the external side of the coating)

The floor protection is required under any horizontal venting. This protection must extend 2" (50.8 mm) beyond each side of the horizontal pipe.

Note for Canadian installation only:

If installed on a combustible floor, the need to provide a non-combustible floor protector covering the area beneath the space heater and extending at least 450 mm (17.72") on the firing side and at least 200 mm (7.87") on the other sides.

**!** Certain local code restrictions may apply. Check with Local Officials first before installing.

**!** INSTALL VENT AT CLEARANCES SPECIFIED BY THE VENT MANUFACTURER.

- Connection to the flue must respect minimum safety distances from heat-sensitive structural components or combustible materials (wood panelling, beams or ceilings, etc) shown in figures.

**i** Children and adults should be alerted to the hazards of high surface temperatures and should stay away to avoid burn to skin and/or clothing.

- Young children should be carefully supervised when they are in the same room as the stove.

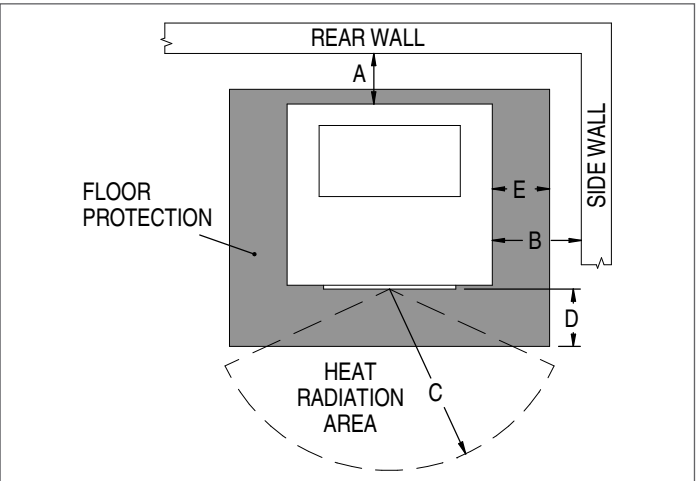


Fig. 24

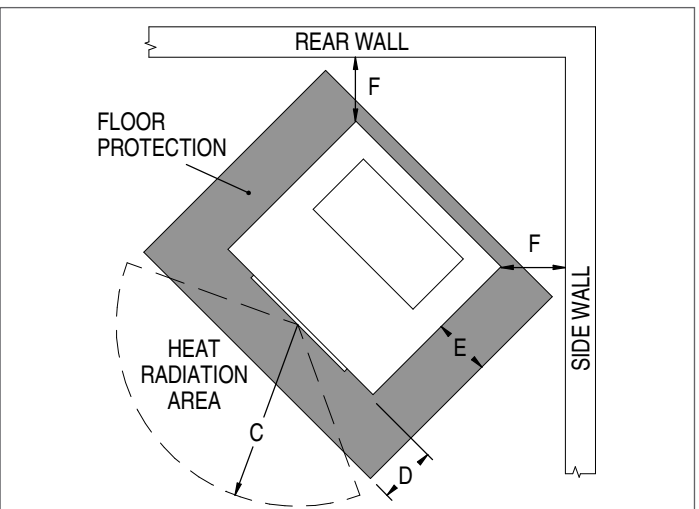


Fig. 25

- A 2 1/4" (57 mm)
- B 7" (178 mm)
- C 39" (991 mm)
- D 6" (152 mm)
- E 6" (152 mm)
- F 3" (76 mm)



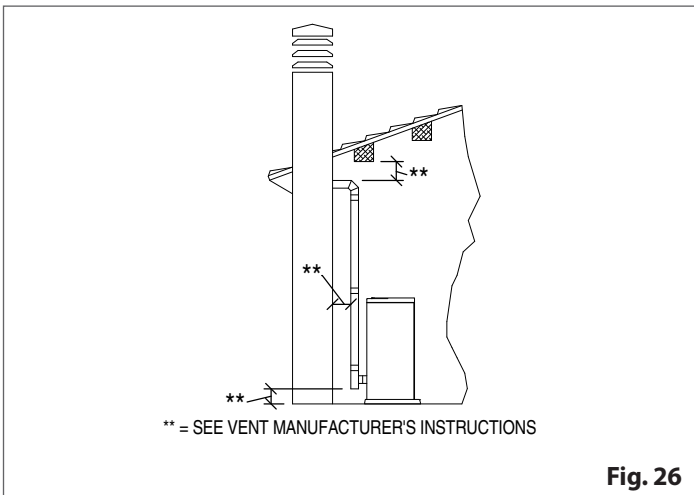


Fig. 26

- avoid unnecessary bends
- avoid any contact with hot parts, even unintentional contact (for example smoke outlet pipe)
- calculate beforehand the length of the connecting path then take a flexible pipe which is longer than necessary and can be cut to the correct length during the final phase
- secure the flexible pipe using a clamp and/or appropriate seal to make it airtight.

To install outside air use any 2" I.D. non-combustible flexible metal hose or rigid metal pipe (conduit). The sheet metal shall not be less than 0.016" (0.41 mm) thick. Thinner materials are permitted when conforming to UL 181 for Class 0 and Class 1 air ducts and when they have been investigated for the intended application. The duct must be connected around (not inside) the combustion air inlet tube.

### 6.3 INSTALLATION KIT AND ACCESSORIES

**i** For the installation of any KITS and ACCESSORIES, please refer to the instructions provided with the kits or accessories.

### 6.4 COMBUSTION AIR CONNECTION

**!** Please refer to and carefully read the section "FRESH AIR INTAKE".

**i** For the installation of any KITS and ACCESSORIES, please refer to the instructions provided with the kits or accessories.

It is recommended that the stove be connected to an outside source of combustion air under certain conditions (negative pressure), especially in lower level and main floor locations.

Per national building codes, consideration must be given to combustion air supply to all combustion appliances. Failure to supply adequate combustion air for all appliance demands, may lead to back-drafting of those and other appliances.

When the appliance is side-wall vented: The air intake is best located on the same exterior wall as the exhaust vent outlet and located lower on the wall than the exhaust vent outlet.

When the appliance is roof vented: The air intake is best located on the exterior wall oriented towards the prevailing wind direction during the heating season.

Combustion air ducts shall not originate in any of the following:

- attic
- basement
- garage
- other interior space.

#### Indications for the connecting pipe

It is recommended that a connection test is carried out before sealing and securing the various elements.

It is also recommended to:

- make the path as short and as straight as possible

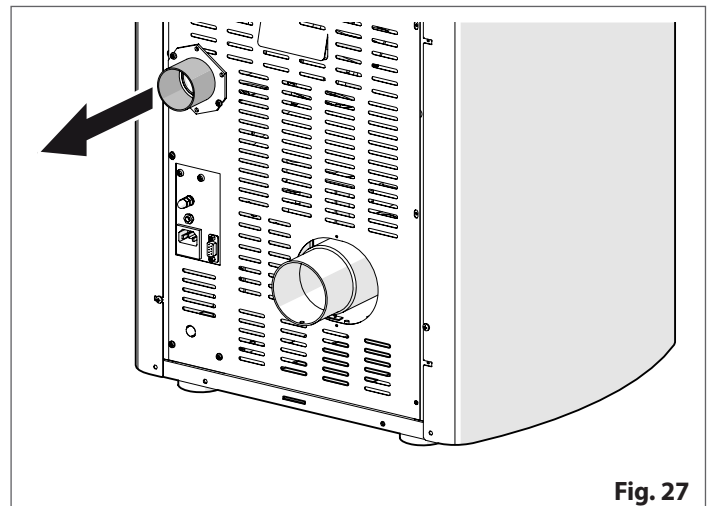


Fig. 27

Be careful not to pinch or bend the outside air pipe with too small a radius.

Outside Air Pipe may be terminated flush with the outside wall but should be protected from wind and weather by a hood.

**!** Long runs should be avoided.

- The outside air pipe must terminate above the maximum snow line and below the exhaust vent outlet.

The air inlet shall permit zero clearance to combustible construction.

An open wire mesh screen should be placed over the outside air pipe opening to prevent birds or rodents from nesting in the opening.

Use an elbow or shield to prevent prevailing winds from blowing directly into the outside air intake pipe.

NOTE: Wire mesh screen should be no smaller than 1/4" by 1/4" (6.4 mm by 6.4 mm).

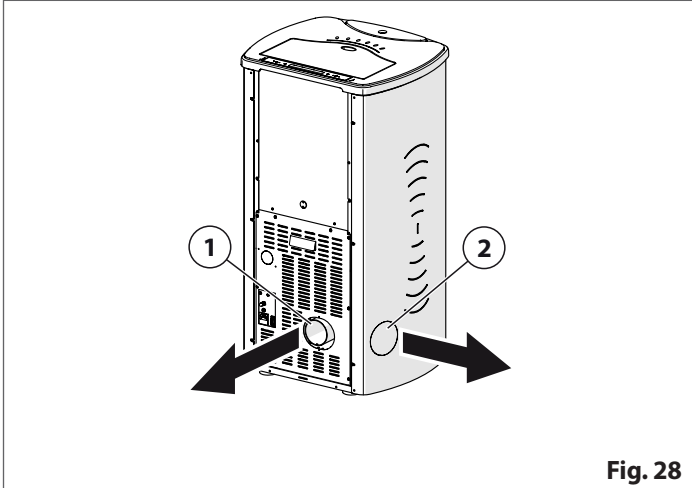
Use silicone to create an effective vapor barrier at the location where the chimney or outside air ducting passes through to the exterior of the structure.

**!** Outside combustion air is required for all mobile home installations and where building codes require.

## 6.5 CONNECTION TO THE SMOKE OUTLET

- !** Please refer to and carefully read sections "FLUE PIPE" and "MINIMUM SAFETY DISTANCES".
- The flue pipe must allow normal thermal expansion and must not weigh down on the product's flue outlet. It must be self-supporting and secured in place with appropriate supports.

The appliance is equipped as standard with the smoke outlet (1).



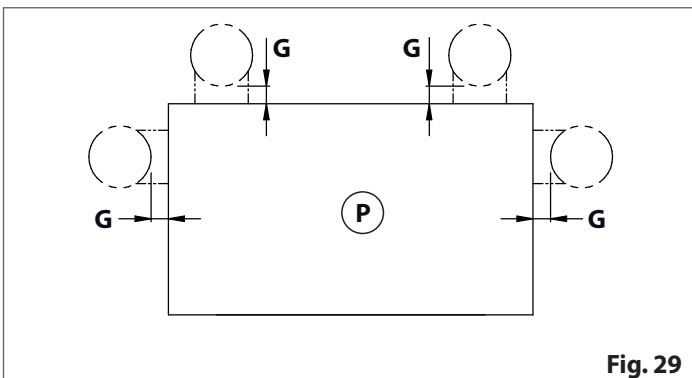
Connection to other outlets is possible:

- left smoke outlet (2) (\*).

(\*). Purchase the specific smoke outlet connector (accessories).

- i** For the installation of any KITS and ACCESSORIES, please refer to the instructions provided with the kits or accessories.

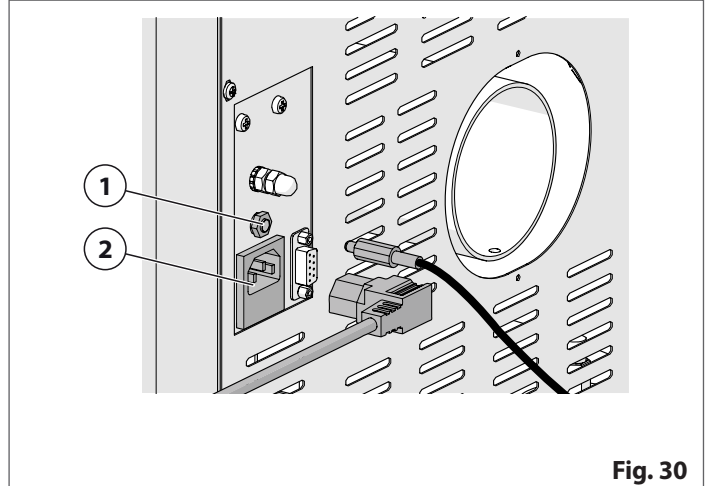
- !** The minimum distance (G) according to vent manufacturer's instructions must be maintained between the flue pipe and the product (P).



In the event pipes with a diameter greater than that of the appliance outlet are used, connect with an appropriate adapter (which is not supplied by Gruppo Piazzetta S.p.A.).

- !** It is recommended that elements with inspection apertures are used to facilitate periodic checks and cleaning of the connecting flue pipe.

## 6.6 ELECTRICAL CONNECTIONS



- 1 Room probe connection
- 2 Power cable socket

- i** Only the power supply connection can be carried out by the user.

- !** Electrical work must be carried out by qualified technicians.
- The electrical cables MUST NOT come into contact with hot or moving parts.

**Minimizing Smoke During Loss of Power Using Battery Backup.** We strongly recommend installing battery backup to minimize entry of smoke into the room in the event of power loss.

Your pellet burning appliance relies on a combustion blower to remove exhaust. A power failure will cause the combustion blower to stop. This may lead to exhaust seeping into the room. Vertical rise in the venting may provide natural draft. It is, however, no guarantee against leakage.

### 6.6.1 Power cable

The appliance comes supplied with a power cable which must be connected to a properly grounded three-prong, 120 VAC, 60 Hz socket.

- !** The appliance must be connected to an effective earthing system.
- Ensure that the power cable, in its final position, does not come into contact with hot parts.
  - The plug must be connected only AFTER installation is complete and the appliance has been assembled. It must be accessible after installation.

**!** Any stove installed in a mobile home must be electrically grounded to the steel chassis of the home and bolted to the floor in Model compliance with, and according to building code requirements.

**6.6.2 Room temperature probe**

Connect the room temperature probe provided to the designated connector on the appliance. The bulb of the probe must be in a position which allows the most accurate reading of the room temperature to be taken.

**i** If the probe is not connected, an acoustic signal is given (refer to the manual "OPERATING INSTRUCTIONS" in the section "MESSAGES - ALARMS - ANOMALIES").

**6.6.3 External environment thermostat**

The appliance allows for connection to an external thermostat (not supplied as standard). This allows operation to be determined on the basis of the room temperature detected by the thermostat.

For installation:

- disconnect the appliance from the electrical power supply
- remove the right panel
- refit the board protection
- arrange a 2xAWG 20 cable (2) and connect it to one side of the room thermostat (1)
- remove the knockout (3) on the back panel
- insert the thermostat cable into the PG7 cable gland and then insert it into the prearranged hole
- connect the cable to the 2 PIN terminal (5) supplied
- insert the terminal (5) into its own seat on the board (4).

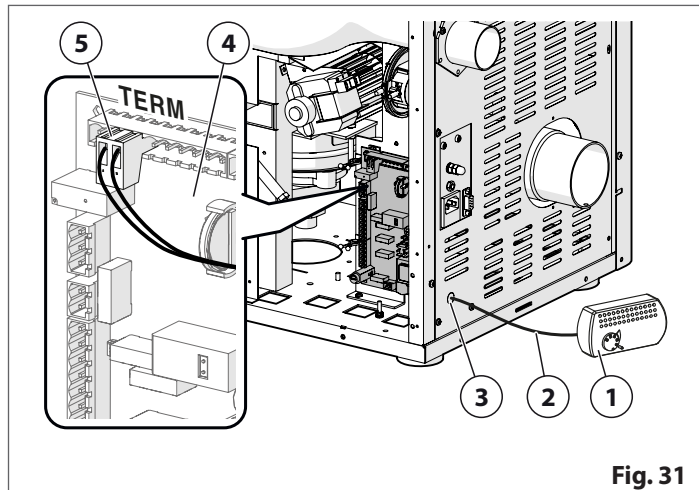


Fig. 31

**!** Consent must arrive from a non-powered contact (normally open). Do not connect any live elements.

**i** For information regarding operation, please refer to the manual "INFORMATION REGARDING OPERATION" in the section "EXTERNAL THERMOSTAT".

**6.6.4 N.PEL / PELLET contact**

The N.PEL / PELLET connection is used to connect up an external safety device, that may be required by local law to stop the appliance from functioning in case of a fault.

For installation:

- the appliance must NOT be connected to the electrical power supply
- arrange a 2xAWG 20 cable (1)
- connect the cable to the external device and to a 2-pin terminal (2) (not provided as standard)
- access the electronic control unit (3)
- insert the terminal (4) in the relevant attachment on the board

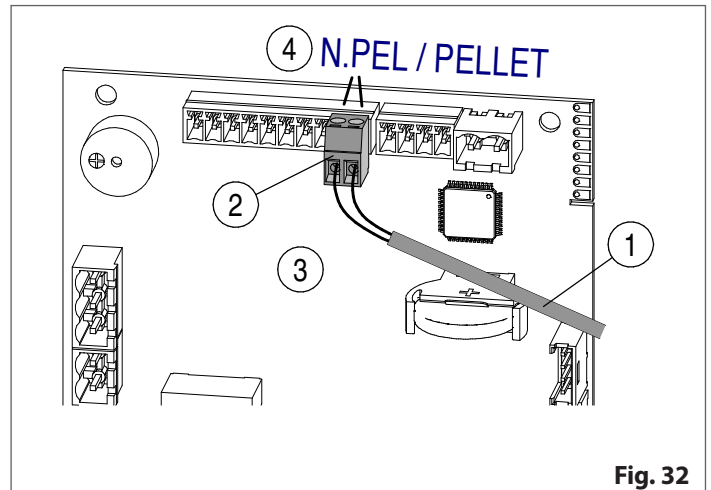


Fig. 32

**i** Only connect devices approved by Gruppo Piazzetta S.p.A.. For more information on installation and operation, please contact a T.A.C. (Technical Assistance Centre) or qualified technician.

**!** Consent must arrive from a non-powered contact (normally open). Do not connect any live elements.

**i** Use a 2xAWG 20 cable to make the connection.

**7 START-UP AND OPERATING TEST**

A start-up and operational test must be carried out by a specialized qualified technician to check that the appliance and all other connected system elements operate correctly. It is therefore understood that depending on whether heating is via air or water, the hot air ducts present or the hydraulic circuit are to be checked along with other connected heat sources.

**i** Find out the cost of these operations from the specialized technician.  
 ■ Refer to the manual "OPERATING INSTRUCTIONS".

## 8 CLADDING AND TRIM

When installation has been completed, in addition to the indications given above, it may be necessary to fit accessories such as external cladding, parts and trims.

- i** Please follow indications provided in the section "**START-UP AND OPERATING TEST**":
- before completing the cladding assembly operations
  - after all cladding and construction interventions have been completed.

### Majolica panel

- Position the majolica panel (1).

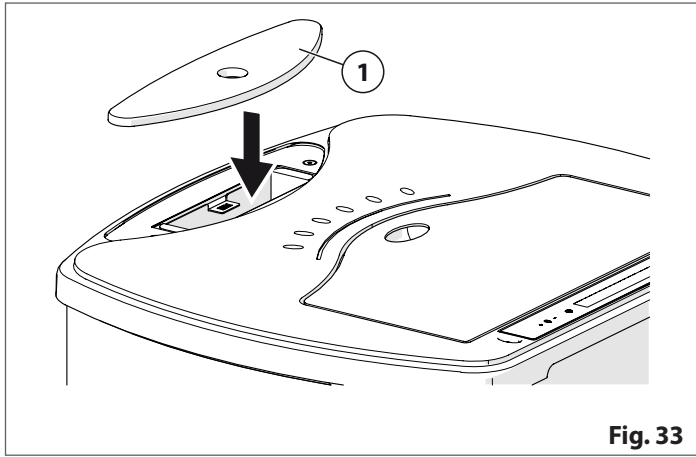


Fig. 33

### Cladding

Proceed as follows:

- remove the grille (1) and the lower front panel (2)
- fasten the side panels (3) using the provided screws
- refit the grille (1) and the lower front panel (2).

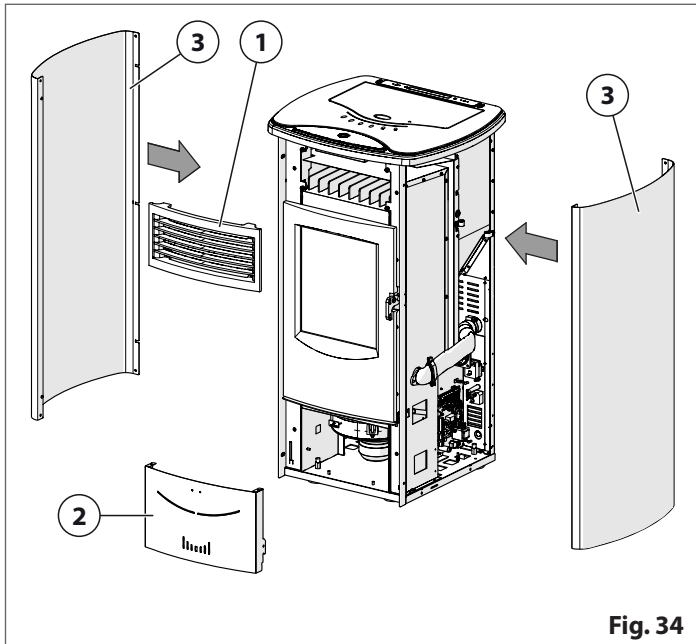


Fig. 34

- !** Make sure that the product does not get scratched or damaged.
- Installation and assembly of the stove must be carried out by qualified personnel.

## 9 USE

- i** For information regarding operation, please refer to the manual "**OPERATING INSTRUCTIONS**".

### 9.1 HUMIDIFIER (ACCESSORIES)

The appliance is equipped with a system to humidify the environment (accessories).

- i** The humidifier is to be filled with water on average every two or three days and in any case, on the basis of appliance use.

- !** Do not fill the humidifier beyond the level marked "MAX". If any water were to leak out, it could damage the appliance.
- Refilling operations are to be carried out with the fire out and when the appliance has cooled down completely.
  - The humidifier is to be cleaned with the fire out, with the appliance off and disconnected from the electrical power source.

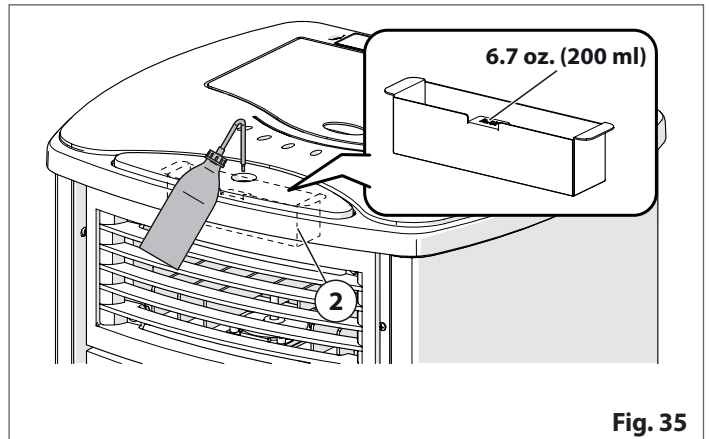


Fig. 35

Remove the element (1) in order to remove the humidifier (2).

- !** Make sure that the product does not get scratched or damaged.

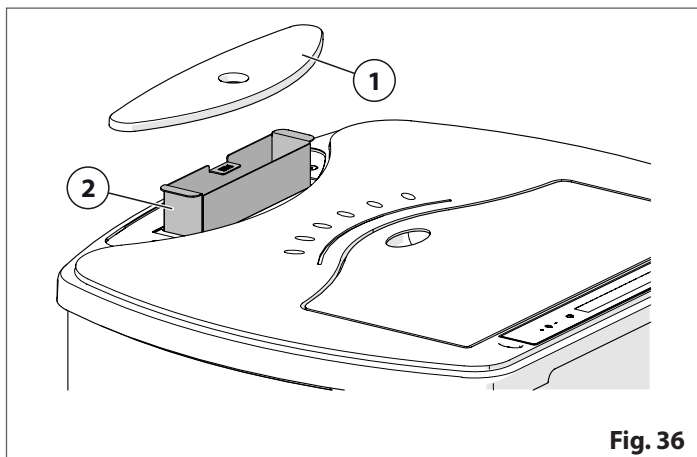


Fig. 36

## 10 CLEANING AND MAINTENANCE

**!** For all installation and maintenance interventions which require access to inside the cladding, the smoke chamber or access to electrical and electronic parts, the user must contact a T.A.C. (Technical Assistance Centre) or qualified technician.

- All installation, cleaning and maintenance work is to be carried out when the fire is out, the appliance is cold and with the power cable of the product itself and/or any other accessories disconnected.
- This work must also be carried out using suitable equipment and in full compliance with all health and safety regulations.

**!** After installation, cleaning and maintenance work:

- restore and replace all worn or damaged parts with original spare parts
- restore all initial connections together with the normal operating conditions of the appliance and the system
- carry out a start-up and operating test to check that there are no faults.

Maintenance interventions are mandatory in order to ensure safety, for correct and efficient stove operation and to guarantee a long life of operation. If maintenance is not carried out with the recommended frequency, appliance performance could suffer and/or malfunctions could occur.

**The manufacturer will not be responsible for appliance deterioration or malfunction if due to poor maintenance.**

**i** Cleaning must be carried out with suitable equipment and in full compliance with all health and safety regulations.

- The materials and equipment used for cleaning must not alter appliance characteristics or operation in any way.
- The disposal of waste resulting from cleaning operations must be in full compliance with current laws and regulations on waste disposal.

### 10.1 SCHEDULED MAINTENANCE

**!** Scheduled maintenance must be carried out at least ONCE A YEAR and in any case, before the commissioning of the appliance after a long period of inactivity.

**i** The time intervals are merely an indication: these intervals may need to be shorter depending on the frequency of use and the type of fuel used.

**!** After installation, cleaning and maintenance work:

- restore and replace all worn or damaged parts with original spare parts
- restore all initial connections together with the normal operating conditions of the appliance and the system
- carry out a start-up and operating test to check that there are no faults.

The following interventions are included in maintenance:


- checking the components for wear and ensuring they are integral and operate correctly
- checking there is no dirt, dust, deposits or obstructions
- checking that all components are positioned and secured correctly
- replacing damaged or worn components
- cleaning
- all interventions needed to ensure correct operation provided they are carried out in compliance with regulations.

**Recommended interval**

Interventions which may be carried out by the user	
Glass	1 day
Brazier and grate support	1 day
Ash drawer (if present)	2 days
Combustion chamber	7 days
Aluker back panel (if present)	1 year
Area behind the cladding panels (if there are no electrical components or moving electro-mechanical elements)	1 year
Remote control batteries (if present)	1 year
Operations which require the intervention of the T.A.C.	
Smoke chamber	1 year
Heat exchangers and smoke passages of the boiler body (if present)	1 year
The smoke outlet	1 year
Smoke outlet system	1 year
Fresh air intake and combustion air pipe	1 year
Ventilation system: vents, air ducting, grilles (if present)	1 year
Extractor fan	1 year
Room fans (if present)	1 year
Electrical parts and electronic components (if present)	1 year
Tightness and condition of the seals around the glass and all elements which are subject to wear	1 year
Area behind the cladding panels (if there are electrical components or moving electro-mechanical elements)	1 year
Replacing the fuses (where inside the cladding)	


**10.2 CLEANING THE CERAMIC CLADDING**

The ceramic cladding (where present) must be cleaned with a soft, dry cloth. If more strenuous interventions are required, use products which are suitable for cleaning ceramics as well as concentrated products for cleaning porcelain to remove oil, ink, coffee and wine stains etc.

 Do not soak the ceramic cladding or clean it with cold water when it is still hot as the thermal shock could cause it to crack.

**10.3 CLEANING THE PAINTED METAL PARTS**


When cleaning the painted metal parts, use a soft cloth moistened with water.

 Do not clean metal parts using alcohol, solvents, petrol-based products, acetones or other degreasing or abrasive substances. In the event of such substances being used, the manufacturer cannot be held responsible for any damage caused.

Discolouration of metal parts may be the result of misuse.

**10.4 OPENING THE DOOR**

Pull the fire door opening tool (1) upwards to open the door. It will now be possible to clean the inside of the glass or carry out appliance maintenance.

 The door must remain closed while the appliance is operating. The door may only be opened when the appliance is off and cold.

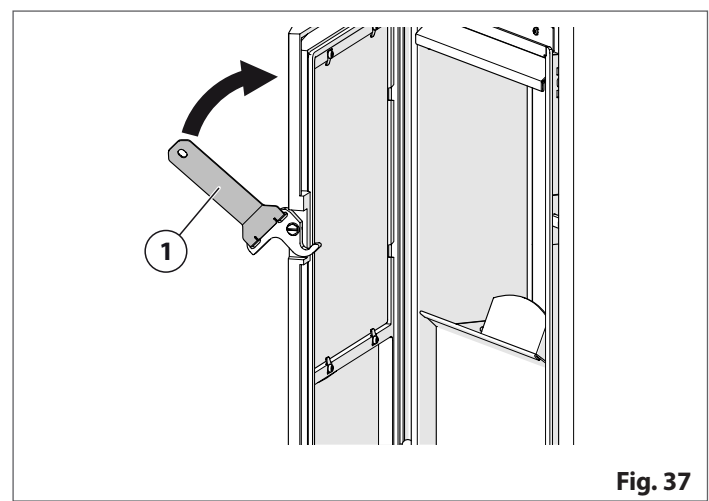


Fig. 37

**Positioning the fire door opening tool**

Proceed as follows:  
- fit the fire door opening tool (1).

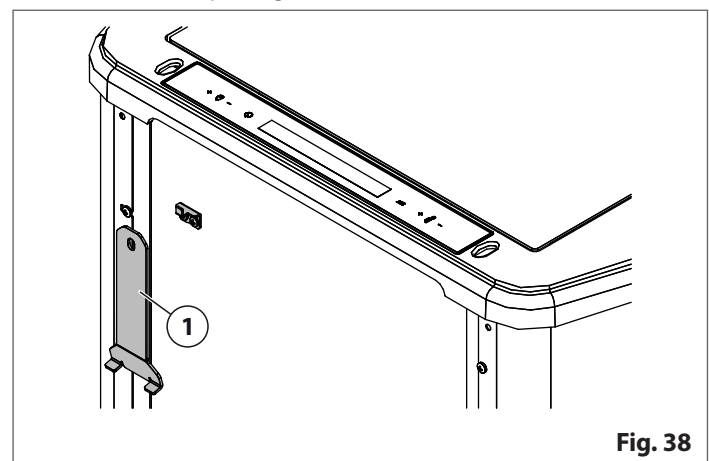


Fig. 38

## 10.5 CLEANING THE GLASS

During start-up it is possible that tar may accumulate on the glass which will disappear when optimal combustion is reached. If this does not happen, it is recommended that the glass is cleaned daily, before start-up, to prevent the formation of any deposits which would be difficult to remove.

**i** Recommended cleaning frequency: refer to the section "SCHEDULED MAINTENANCE".

**!** The glass should be cleaned when cold using ammonia-based non-corrosive degreasing agents (for example, do not use solvents).

- Do not use any material that could scratch or spoil the glass, as scratches may develop into cracks or breaks.

## 10.6 DISPOSAL OF ASHES

**!** Ashes should be placed in a metal container with a tight fitting lid. The closed container of ashes should be placed on a noncombustible floor or on the ground, well away from all combustible materials, pending final disposal. If the ashes are disposed of by burial in soil or otherwise locally dispersed, they should be retained in the closed container until all cinders have been thoroughly cooled.

**!** Do not throw live cinders into waste containers.

## 10.7 CLEANING THE ASH TRAY

**i** Recommended cleaning frequency: refer to the section "SCHEDULED MAINTENANCE".

**i** To dispose of the ash, please refer to the section "DISPOSAL OF ASHES".

## 10.8 CLEANING THE GRATE AND GRATE SUPPORT

The grate area must be cleaned.

**i** Recommended cleaning frequency: refer to the section "SCHEDULED MAINTENANCE".

- Before proceeding to start-up, any unburned pellets which are in the grate must be removed. Do not reverse unburned pellet in the hopper.

Proceed as follows:

- remove the grate deflector (1)
- release the grate (2) from its housing
- remove all ash and any deposits which may have formed, making sure that any clogged holes are cleared using an appropriate tool
- keep the "start-up hole" (3) clean
- check the grate support (4) and remove any ash present
- reposition the grate into its original position pushing it towards the start-up hole
- reposition the grate deflector.

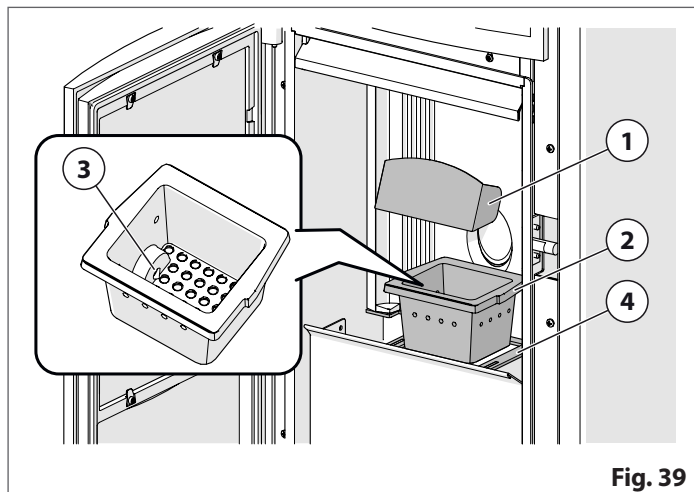


Fig. 39

**!** Before turning on the appliance, check that the grate is positioned correctly in its seat (and pushed towards the start-up hole).

- A vacuum cleaner which is suitable for use with ash is needed when carrying out this type of cleaning operation.

**i** To dispose of the ash, please refer to the section "DISPOSAL OF ASHES".

## 10.9 CLEANING THE COMBUSTION CHAMBER

**i** Recommended cleaning frequency: refer to the section "SCHEDULED MAINTENANCE".

Proceed as follows:

- remove the grate deflector (1)
- release the grate (2) from its housing
- turn the cams (3) forwards in order to release the back panel (4)
- lift the back panel slightly to release it from the slots (5)
- turn the lower part outwards and extract it

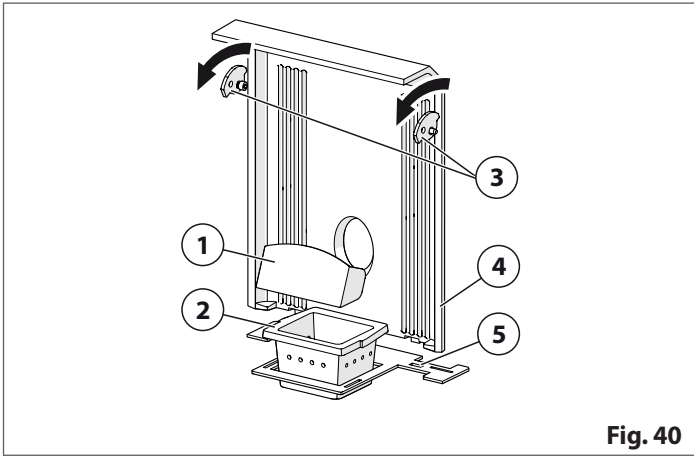


Fig. 40

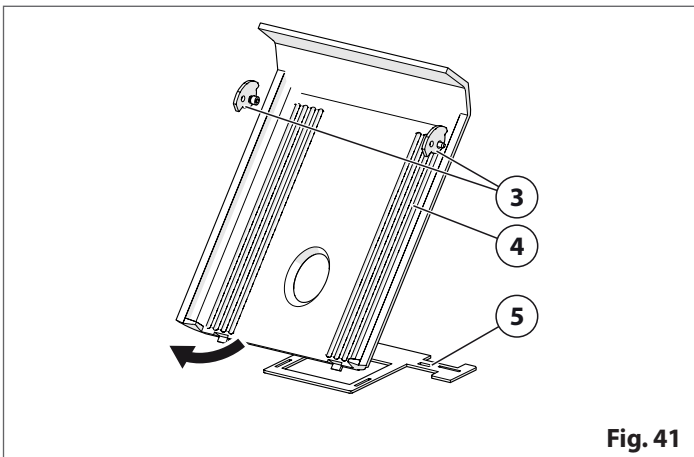


Fig. 41

- using a vacuum cleaner suitable for cleaning ash, remove all the residue which has deposited on the side walls and in the upper part of the firebox
- clean the slots (6)

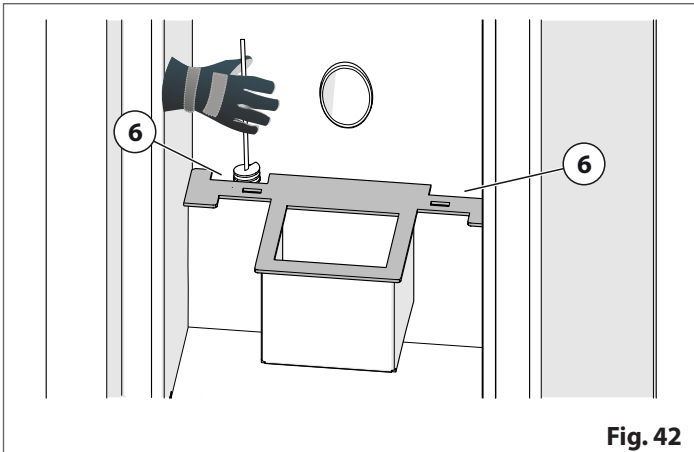


Fig. 42

- clean the parts which have been removed and then refit them in the reverse order in which they were removed
- ensure that the back panel is lodged into the housing (5) and secure it using the two cams
- reinsert the grate and the grate deflector.

**!** A suitable ramrod may need to be used in order to remove any stubborn deposits.

**!** A vacuum cleaner which is suitable for use with ash is needed when carrying out this type of cleaning operation.

**i** To dispose of the ash, please refer to the section "DISPOSAL OF ASHES".

## 10.10 CLEANING THE SMOKE CHAMBER

**i** Recommended cleaning frequency: refer to the section "SCHEDULED MAINTENANCE".

- This operation facilitates an optimal heat exchange and better product performance.

Proceed as follows:

- remove the ash drawer (1)
- remove the screws (2) which secure the smoke chamber cover (3)

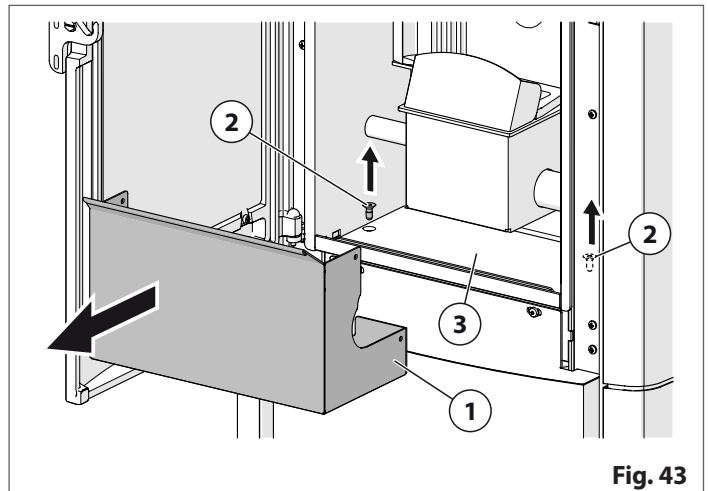


Fig. 43

- lift the top cover of the smoke chamber (3) slightly and remove it by pulling it towards you

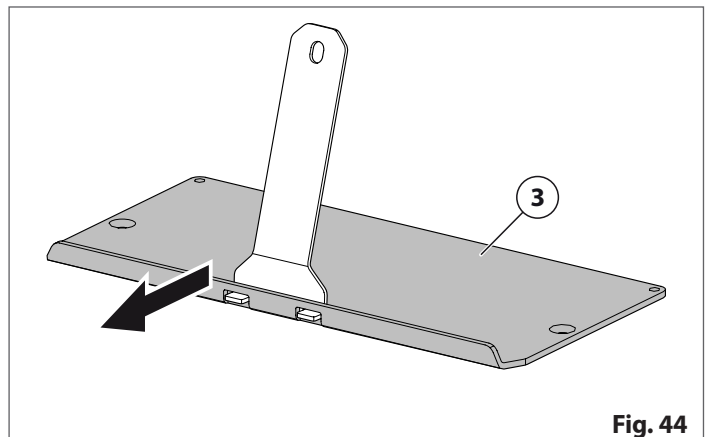


Fig. 44

- use a vacuum cleaner to remove any ash and carbon deposits which may have accumulated in the smoke chamber, taking care not to damage the blades of the extractor fan



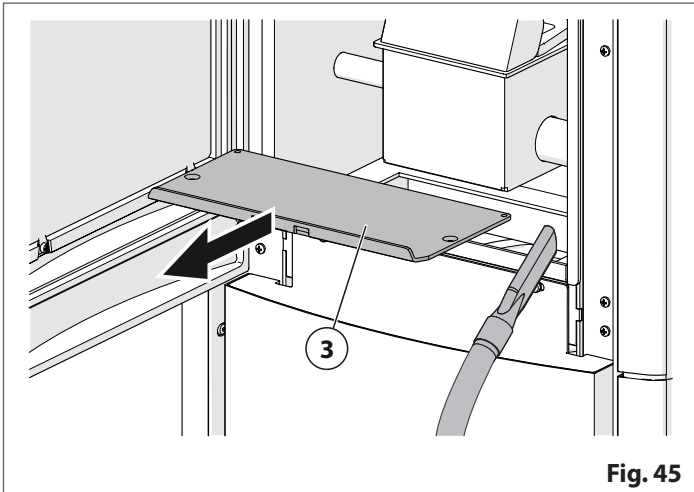


Fig. 45

- clean the hole for the vacuum detection (4) inside the smoke chamber as indicated in the figure: for the appliance to operate correctly, the hole must always be free of dust and ash

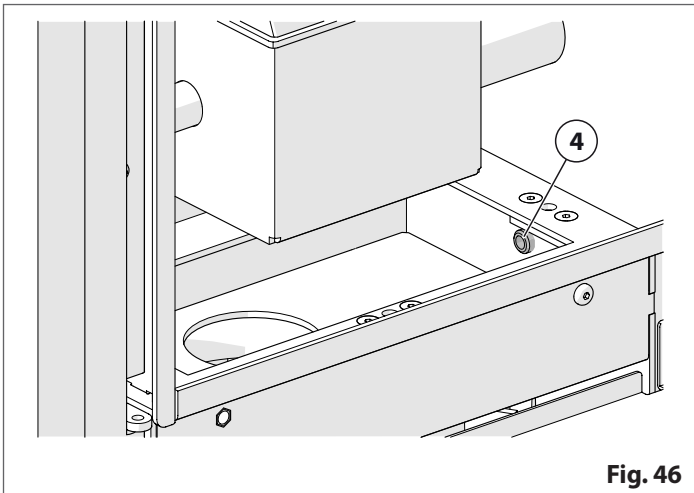


Fig. 46

- once cleaning operations have been completed, reposition the top cover of the smoke chamber (3) checking the condition of the sealing gasket and replace if necessary
- close the smoke chamber reversing the order of operations.

**!** A vacuum cleaner which is suitable for use with ash is needed when carrying out this type of cleaning operation.

**i** To dispose of the ash, please refer to the section "DISPOSAL OF ASHES".

### 10.11 CLEANING THE EXTRACTOR FAN

Any dust or ash deposits on the smoke extractor fan blades may result in the fans becoming noisy when the appliance is in operation. It must be cleaned.

**i** Recommended cleaning frequency: refer to the section "SCHEDULED MAINTENANCE".

**!** The fan must be cleaned with the fire out, the appliance completely cold and with the power cable disconnected.

- The extractor fan is only to be cleaned by a T.A.C. (Technical Assistance Centre) or qualified technician.

### 10.12 CLEANING THE ROOM FAN

Any dust or ash deposits on the extractor fan blades may result in the fans becoming noisy when the appliance is in operation. It must be cleaned.

It is recommended that any deposits which may have formed in the hot air outlet grilles are also removed.

**i** Use a vacuum cleaner or compressed air cleaner for this.

- Recommended cleaning frequency: refer to the section "SCHEDULED MAINTENANCE".

**!** The fan must be cleaned with the fire out, the appliance completely cold and with the power cable disconnected.

- The extractor fan is only to be cleaned by a T.A.C. (Technical Assistance Centre) or qualified technician.

To access the room fan/s (1):

- remove the side panel/s
- it is recommended that a vacuum cleaner and a soft brush is used. Make sure the internal fan does not get damaged
- refit the side panel/s.

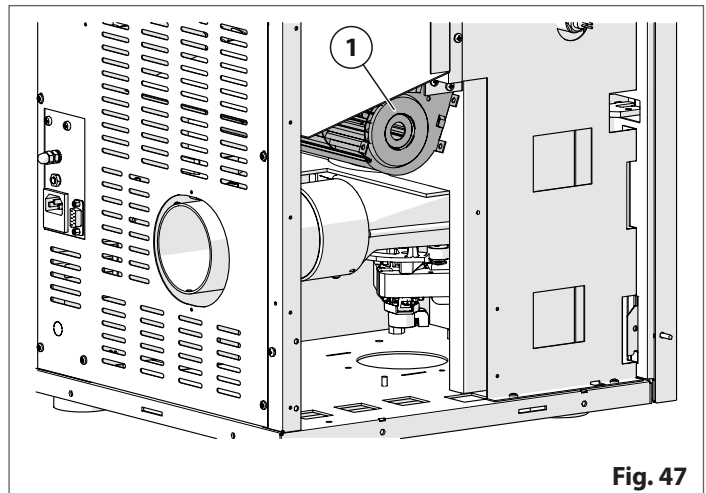


Fig. 47

### 10.13 CLEANING THE SMOKE OUTLET

#### Soot and Flyash: formation and need for removal.

The products of combustion will contain small particles of flyash. The flyash will collect in the exhaust venting system and restrict the flow of the flue gases.

Incomplete combustion, such as occurs during startup, shut-down, or incorrect operation of the room heater will lead to some soot formation which will collect in the exhaust venting system.

The exhaust venting system should be inspected at least once every two months during the heating season to determine if cleaning is necessary.

The frequency with which the smoke outlet is to be cleaned depends on the how much the appliance gathers dirt.

**i** Recommended cleaning frequency: refer to the section "**SCHEDULED MAINTENANCE**".

- Please refer to and carefully read the section "**FLUE PIPE**".

**!** If necessary, particularly on the first few occasions, we recommend calling a qualified technician.

#### "TEE" connector

Proceed as follows:

- Remove the plug from the "TEE" fitting (1) and clean the pipes

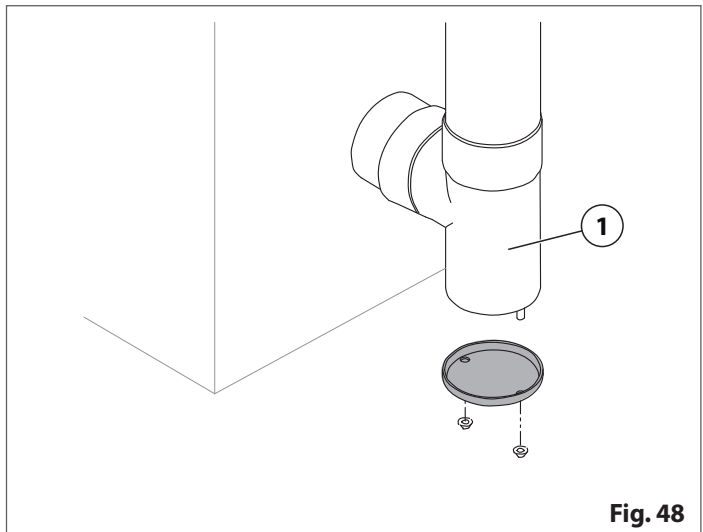


Fig. 48

### 10.14 REPLACING THE FUSES

#### FUSE ON THE POWER CABLE SOCKET

Extract the fuse box drawer (1) in the power socket and replace the fuse with the spare to be found inside the small drawer or with another fuse of the same type.

Type of fuse: F6.3AH205V

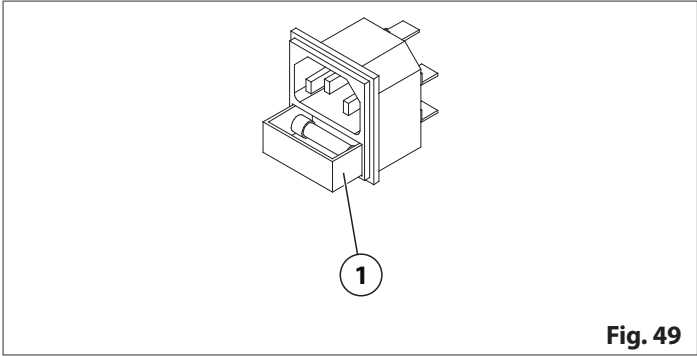


Fig. 49

#### ELECTRONIC BOARD FUSE

Unscrew the fuse box plug (1) located on the electronic board and replace the fuse with a similar one.

Type of fuse: F6.3AL205V

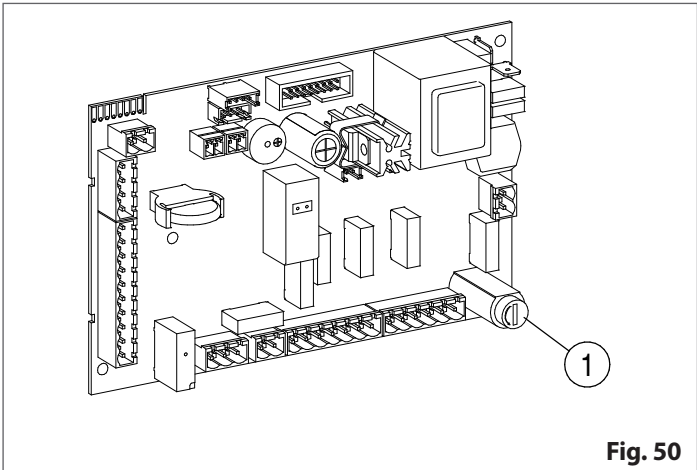


Fig. 50

### 10.15 REMOVE THE DOOR

To remove the door:

- Open the door
- remove the 2 pins (1)

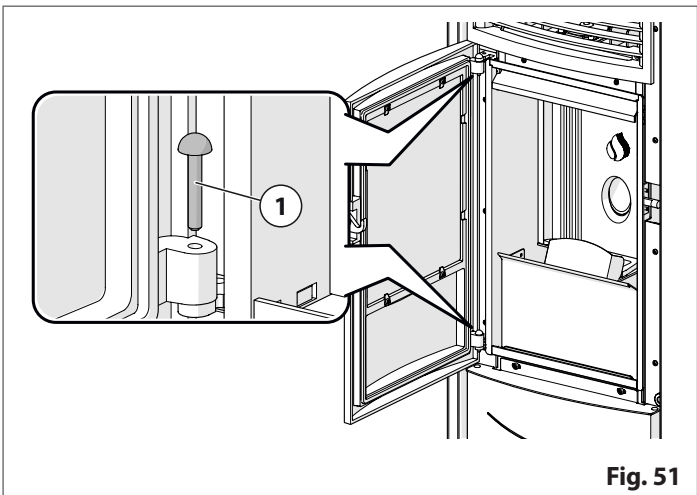


Fig. 51

### 10.16 REPLACING THE GASKETS

Periodically inspect the condition of the rope gasket around the door, window and ash door for air leaks. Any leaks in these areas will negatively affect the burn process and cause the pot to overload. Replace as needed.

Restore and replace all worn or damaged parts with original spare parts: do not use substitutes.

Contact your local dealer or the authorized T.A.C. (authorized technical assistance center).

The gaskets are critical to the emissions performance of the unit.

#### Replace the door gasket

- remove the door
- place the door on a flat surface without damaging it
- replace the gasket (2)
- it is recommended that the gasket is blocked with a few drops of silicone which may be used at high temperatures

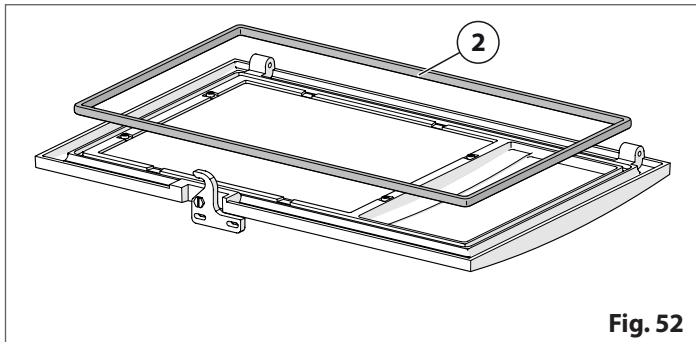


Fig. 52

- reposition the door
- fix the door on the appliance with the 2 pins (1).

#### Replace the smoke chamber cover gasket

- Open the door
- remove the ash drawer (1)
- remove the 2 screws (2)
- remove the smoke chamber cover (3)

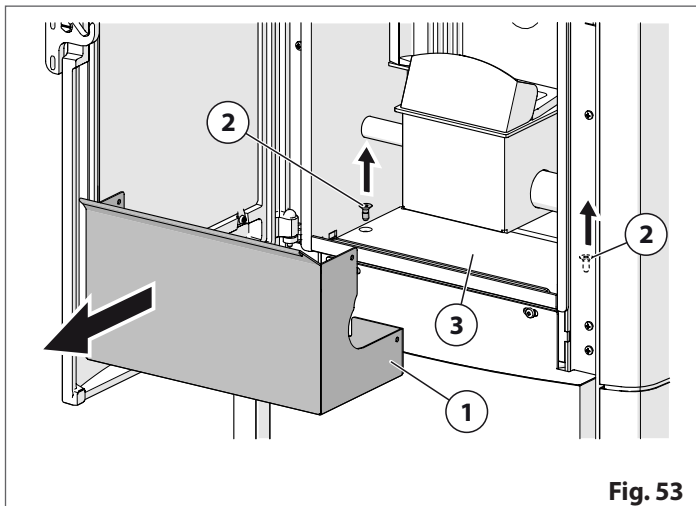


Fig. 53

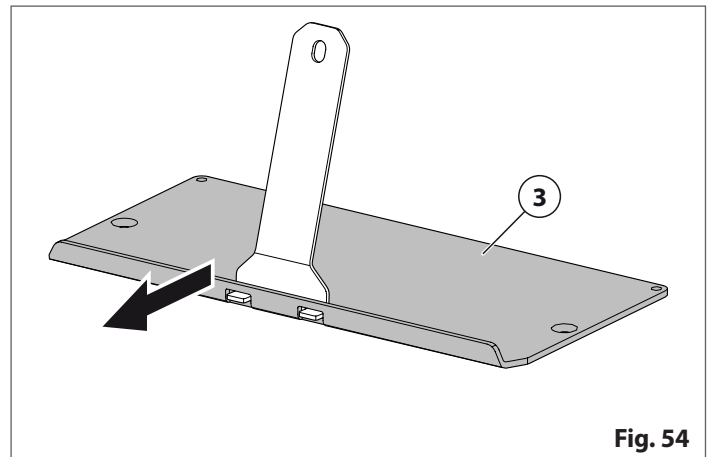


Fig. 54

- replace the gasket (4)

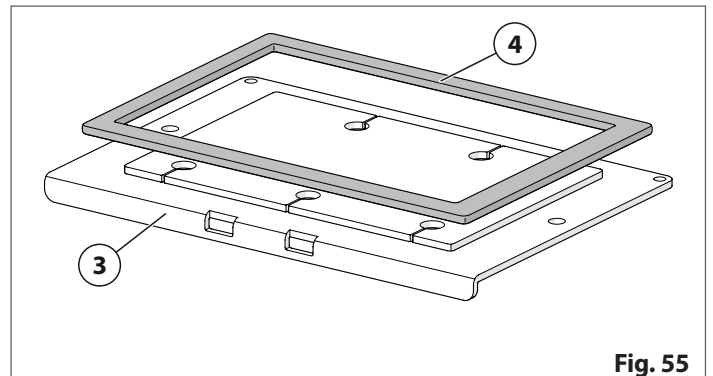


Fig. 55

- reposition the smoke chamber cover (3)
- fix the smoke chamber cover on the appliance with the 2 screws (2)
- reposition the ash drawer (1).

### 10.17 REPLACING THE GLASS

The door of the stove is equipped with a ceramic glass window 0.197" (5 mm) thick, resistant to temperatures up to 1382°F (750°C).

The glass can only be broken by a strong blow or improper use. Do not slam the door or hit the glass.

Restore and replace all worn or damaged parts with original spare parts: do not use substitutes.

Contact your local dealer or the authorized T.A.C. (authorized technical assistance center).

Proceed as follows to replace the glass:

- equip yourself with an appropriate pair of protective gloves
- loosen the screws (1)
- carefully remove the glass clips (2)

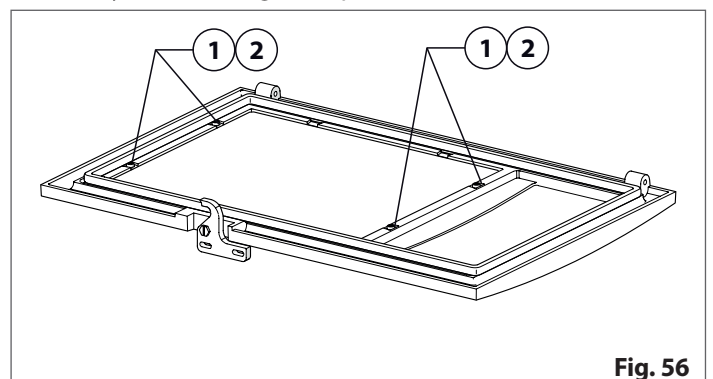


Fig. 56

- remove the glass
- if the fibre glass washer and sealing strip are worn, replace them
- replace the glass
- relocate the clips (2) refasten the screws (1) taking care not to overtighten them
- re-hang the door.

## 11 WHEN NOT IN USE

When shutting the appliance down at the end of the season or if a long period of inactivity is anticipated, proceed as follows:

- remove all pellets from the appliance
- carry out all the operations described in the section "*CLEANING AND MAINTENANCE*" so as to prevent deposits which would damage the product and would be difficult to remove when the appliance is next used
- ensure that checks, cleaning and maintenance operations not only on the appliance itself but also on the entire system (flue gas pipe, fresh air intake and suction pipes, hot air ducting, water-heating system etc) are carried out by specialised and qualified technicians
- if the product is equipped with a remote control, remove the batteries from the remote control unit to prevent any oxidation
- disconnect the product and /or any installed accessories from the electrical power source.



For appliances fitted with a boiler, if you disconnect the power supply, some of the appliance functions are not available or active (e.g. the circulator anti-block function and the anti-freeze function).

### To remove al pellets, proceed as follows:

- remove the pellets which are in the hopper, as far as the protection grille, when the fire is out and the appliance is completely cold
- switch on the appliance, allow it to operate until all the pellets have been depleted and the appliance switches off
- wait for the appliance to cool down completely.



Excessive humidity and a long period of inactivity may cause the formation of rust on some of the unpainted parts inside the product.

- This is a natural situation and does not compromise the efficiency or life of the product and is not to be considered a defect.



After a period of inactivity, the problem of expansion of the materials and emission of vapours could recur Refer to the section "*NOTES REGARDING THE FIRST START-UP*".

## 12 DISPOSAL OF PRODUCT AT END OF PRODUCT LIFE

The owner is exclusively responsible for destroying and disposing of the product in compliance with the regulations in force as regards safety and respecting/protecting the environment.

**Contact the relevant authorities for information regarding local regulations.**

**Contact a qualified technician to definitively take the product out of service.**

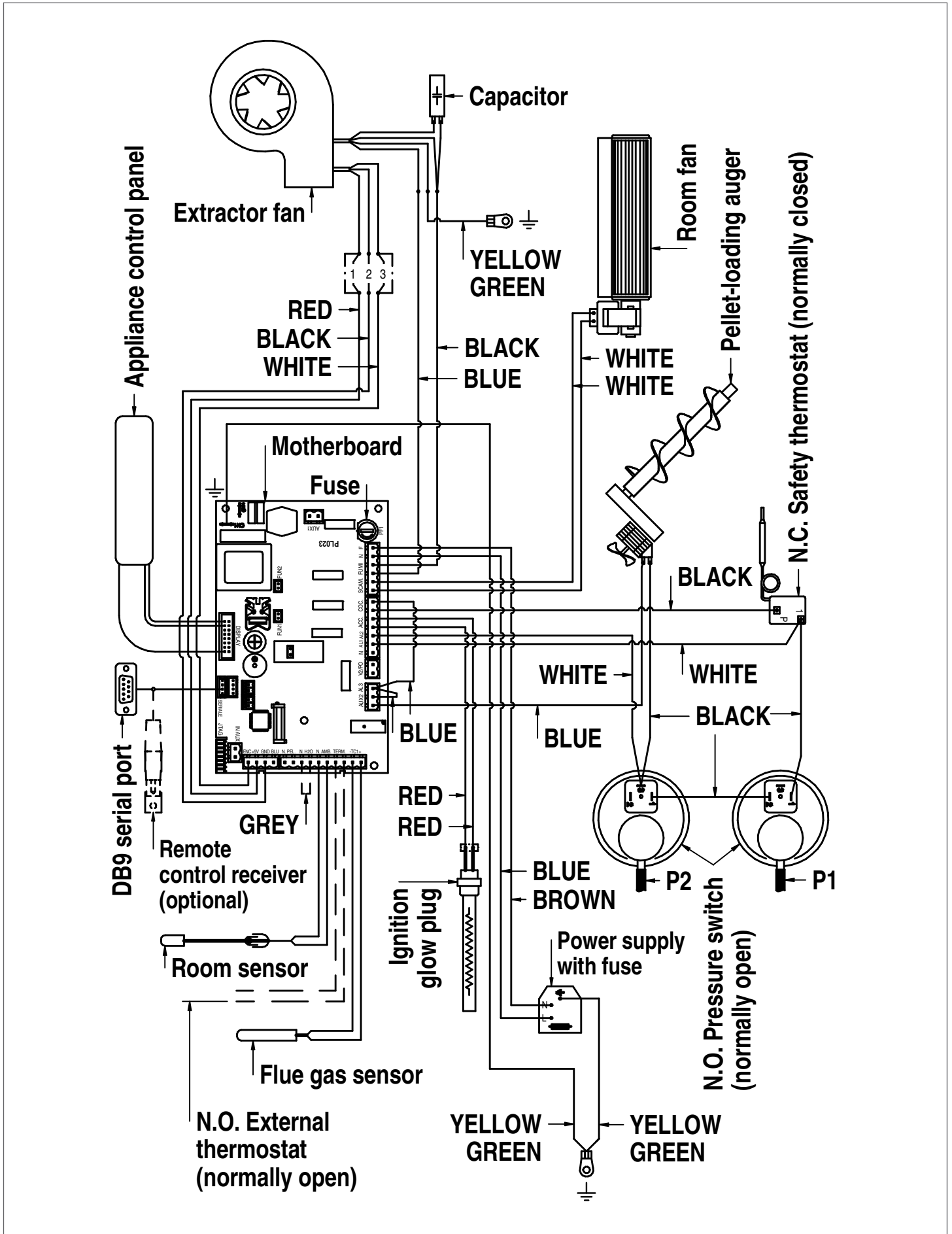
Before uninstalling the appliance:

- disconnect the electrical power supply (for electrical appliances)
- ensure all system components and connections are safe
- shut off all boiler and system connections (for appliances fitted with a boiler)
- shut off the appliance gas inlet valve (for gas appliances)

**Disposing of this appliance incorrectly may cause environmental damage or harm human health.**

**The appliance and accessories must not be disposed of with normal household waste. Dispose of the appliance at a waste recycling centre.**

13 ELECTRICAL CONNECTIONS



## 14 REFERENCE STANDARDS

- ASTM E1509-12 Standard Specification for Room Heaters, Pellet Fuel-Burning Type  
ASTM E2515-11 Standard Test Method for Determination of Particulate Matter Emissions Collected by a Dilution Tunnel  
ASTM E2779-10 Standard Test Method for Determining Particulate Matter Emissions from Pellet Heaters  
ULC S627-00 Standard for Space Heaters for Use With Solid Fuels  
CSA B415.1-10 Performance testing of solid-fuel-burning heating appliances  
NFPA 211 Standard for Chimneys, Fireboxes, Vents, and Solid Fuel-Burning Appliances  
Manufactured Home Construction and Safety Standards published by the Department of Housing and Urban Development (HUD). CFR 3280, Part 24.



**The installation of the product must be made in accordance with the manufacturer's instructions and in compliance with local regulations. Contact the fire service or competent authorities for clarifications on the restrictions and requirements in your area.**

## 15 WARRANTY

### 2-YEAR PRODUCT WARRANTY

All Piazzetta appliances come with a 2-year warranty, during which time your only concern is to enjoy the warmth and the relaxing sight of the flame. The daily commitment of our researchers in developing new heating solutions is focused on the right combination of performance, safety and constructional strength. These are values that ensure long-lasting and real peace of mind for all your family.

**Piazzetta North American Pellet Stoves warranty is for the original consumer covering the following:**

2-Year  
Parts and Labour

Piazzetta (North America) will repair or replace any part found to be defective (parts and labour) for two (2) years from the date of purchase, including glass for thermal breakage only (not impact) and exterior cladding for gloss retention.

#### Conditions

- Unit must be installed according to all applicable local and national codes. It is the responsibility of the installer to ensure the unit is operating correctly at the time of installation.
- Installation must be done in accordance with the appliance manual
- Any part, that is not considered to be normal wear and tear, that shows in our judgment evidence of defect shall be repaired, replaced or refunded by Piazzetta in accordance with authorized dealer/distributor. The defective part or product may be required to be returned to an authorized Piazzetta dealer/distributor for any further assessment.
- Exterior cladding is warranted for gloss retention. Certain colors may darken when heated and return to the original shade when cool.
- The appliance must be maintained according to the manual

#### Exclusions

- This warranty does not apply to any part that shows evidence of misuse, abuse, improper installation, accident or lack of maintenance and usage of incorrect fuel.
- Piazzetta shall in no event be liable for any special, indirect or consequential damages of any nature whatsoever which are in excess of the original purchase price of the product.
- Piazzetta is not responsible for installation, operational or environmental conditions beyond our control.
- Piazzetta may, at their discretion, discharge all obligations or environmental conditions beyond our control.
- This warranty may not be modified by our agents or representatives

**Further information are available on company website (<http://piazzetta.com>) on the specific "Warranty" page.**



Via Montello, 22  
31011 Casella d'Asolo (TV) - ITALY  
Tel. +39.04235271 - Fax +39.042355178  
[www.piazzetta.com](http://www.piazzetta.com)  
e-mail:[infopiazzetta@piazzetta.it](mailto:infopiazzetta@piazzetta.it)